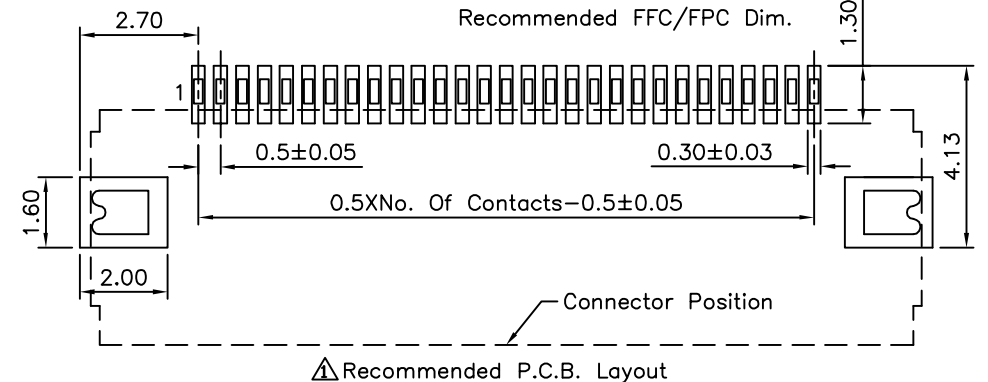
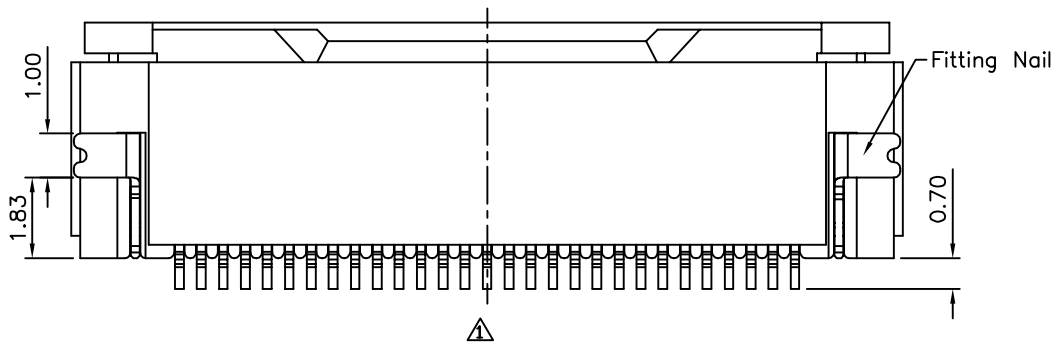
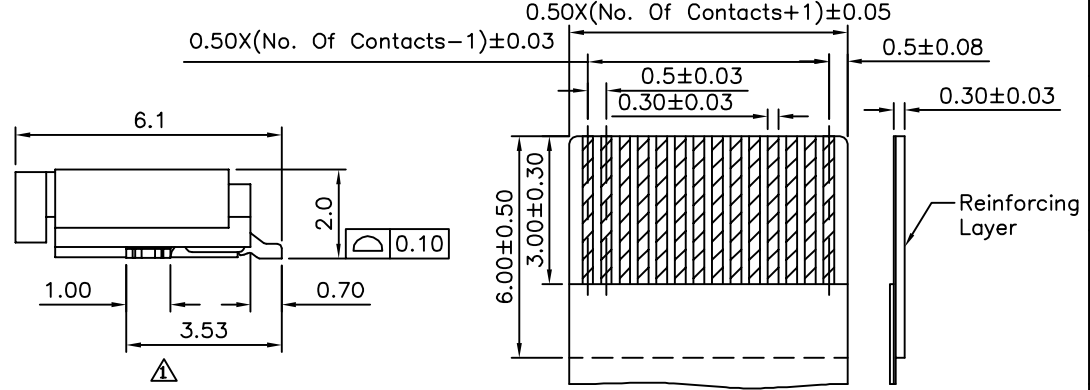
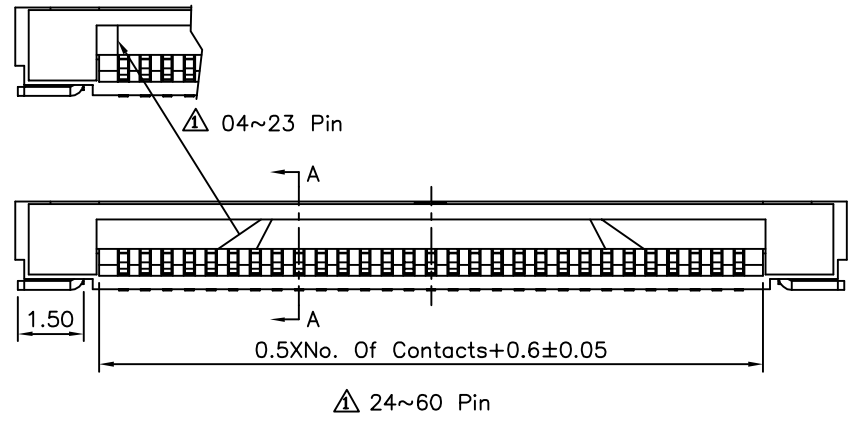


SPECIFICATION
1.General Characteristics
 0.5mm FPC XXP SMT 90° Easy On Type
 Bottom Contact Tape & Reel 2000 PCS/Reel
2.Material&Finish
 Insulator:LCP(UL94V-0),White
 Actuator:LCP(UL94V-0),Black
 Terminal:Copper Alloy,Tin Plated
 Fitting Nail:Copper Alloy,Tin Plated
 Contact:Phosphor Bronze,Tin Plated Over Nickel
3.Electrical Characteristics
 Current Rating:0.4A DC Max.
 Operation Voltage:50V AC Max.
 Contact Resistance:30 Milliohms Max.
 Insulation Resistance:500 Megaohms Min.
 Withstand Voltage:200V AC RMS For 1 Minute
4.Environmental Characteristics
 Operation Temperature Range:-45°C~+85°C
5.RoHS Compliant



4UCON 元化興業股份有限公司
 4UCON TECHNOLOGY INC.

DRAWING No.		APPROVED BY		UNLESS OTHERWISE SPECIFIED TOLERANCES ARE .X ±0.20 X.* ±5* .XX ±0.15 .X.* ±2* .XXX ±0.10 .XX.* ±1*
10635		EMILY		
		CHECKED BY		
		HAO		UNIT mm
		DRAWING BY		
SCALE	NONE	REV.	A4	

NO.	REV.	REVISIONS	CHK	DATE
△A4		Modify Data	HZF	04/28/2015
△A3		Modify Data	HZF	10/28/2014
△A2		Modify Data	HZF	10/21/2014
△A1		Modify Data	HZF	08/16/2013
△A0		NEW RELEASE	HZF	12/07/2012