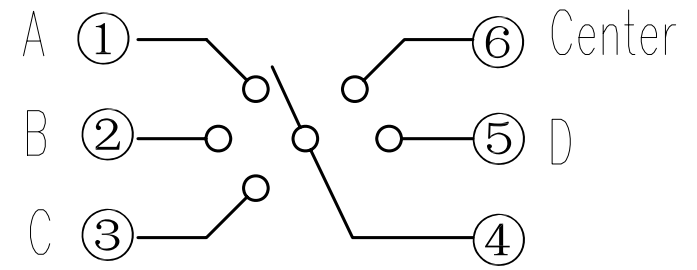
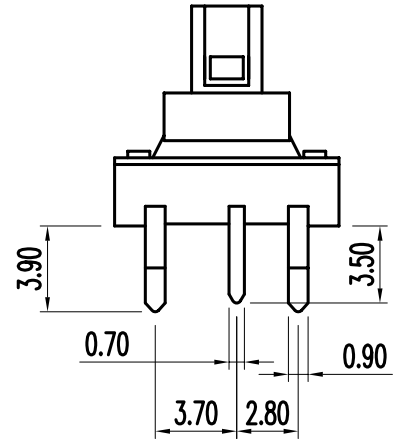
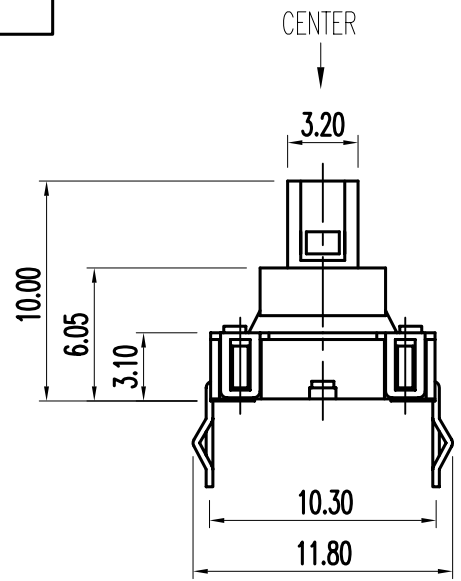


No.

Mark	Amount	File NO.	Sign	Date

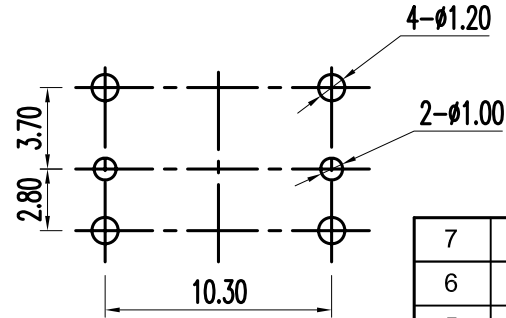
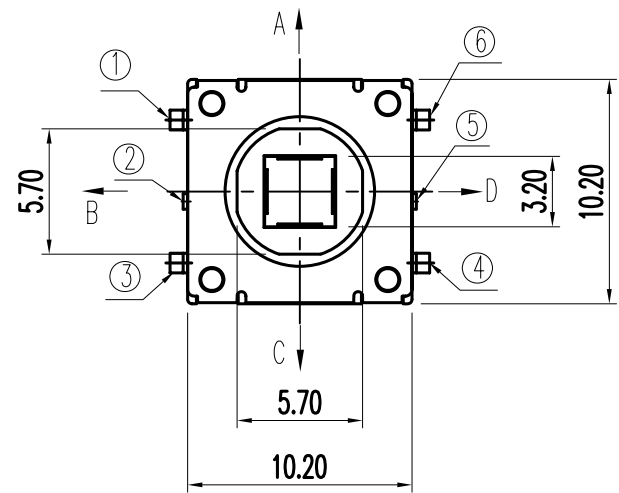


示意图SCHFMATIC

规格Specifications

额定负荷Rating	DC 12 V/ 50 mA
接触阻抗Contact Resistance	500 mΩ Max
绝缘阻抗Insulation Resistance	DC100V 60 Sec, 50MΩ Min
抗电强度Dielectric Voltage	AC250V (50~60HZ) 60Sec

操作力Operating Force (正向PUSH)	320 ± 100 gf
操作力Operating Force (侧向PUSH)	160 ± 50 gf
接触行程Pre Travel (正向PUSH)	0.15 ±0.10mm
接触行程Pre Travel (侧向PUSH)	0.25 ±0.10mm
机械寿命 Operating Life Without Load	每方向On each direction 100, 000次cycles



P.C.Board land Dimensions

7	P505-M00-70-A1-60	Dust cover	1	KAPTON
6	P512-P07-54-A1-10	L-Knob	1	LCP
5	P512-S01-37-A1-00	Spring plate	6	SUS 301/Ag
4	P512-P07C01-50-A1-10	Housing	1	LCP
3	P512-C01-30-A1-00	Terminal	1	C2680R
2	P512-S02-31-A1-00	Cover	1	SUS
1	P512-P07-52-A1-10	Knob	1	LCP
NO.	Part number	Part name	Quantity	Material

Unmarked dimension tolerance				Designed	Date
Range	Tolerance	Range	Tolerance		
≤ 1	± 0.10	>50~100	± 1.00	Checked	Date
>1~5	± 0.20	>100~200	± 2.00		
>5~20	± 0.30	>200	± 3.00	Approved	Date
>20~50	± 0.50	Angle	± 2°		

5-Dir Tact Switch

TM-1603

Document number		Scale	Version
F512-0001		3:1	S/0
Page	1/1	quantity	