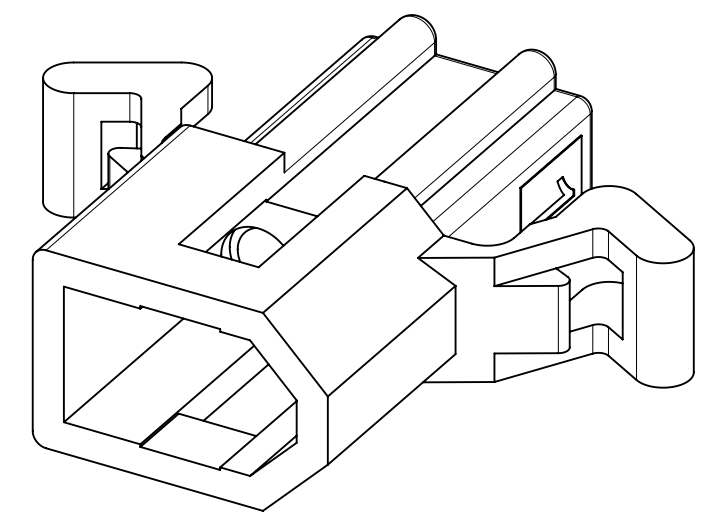
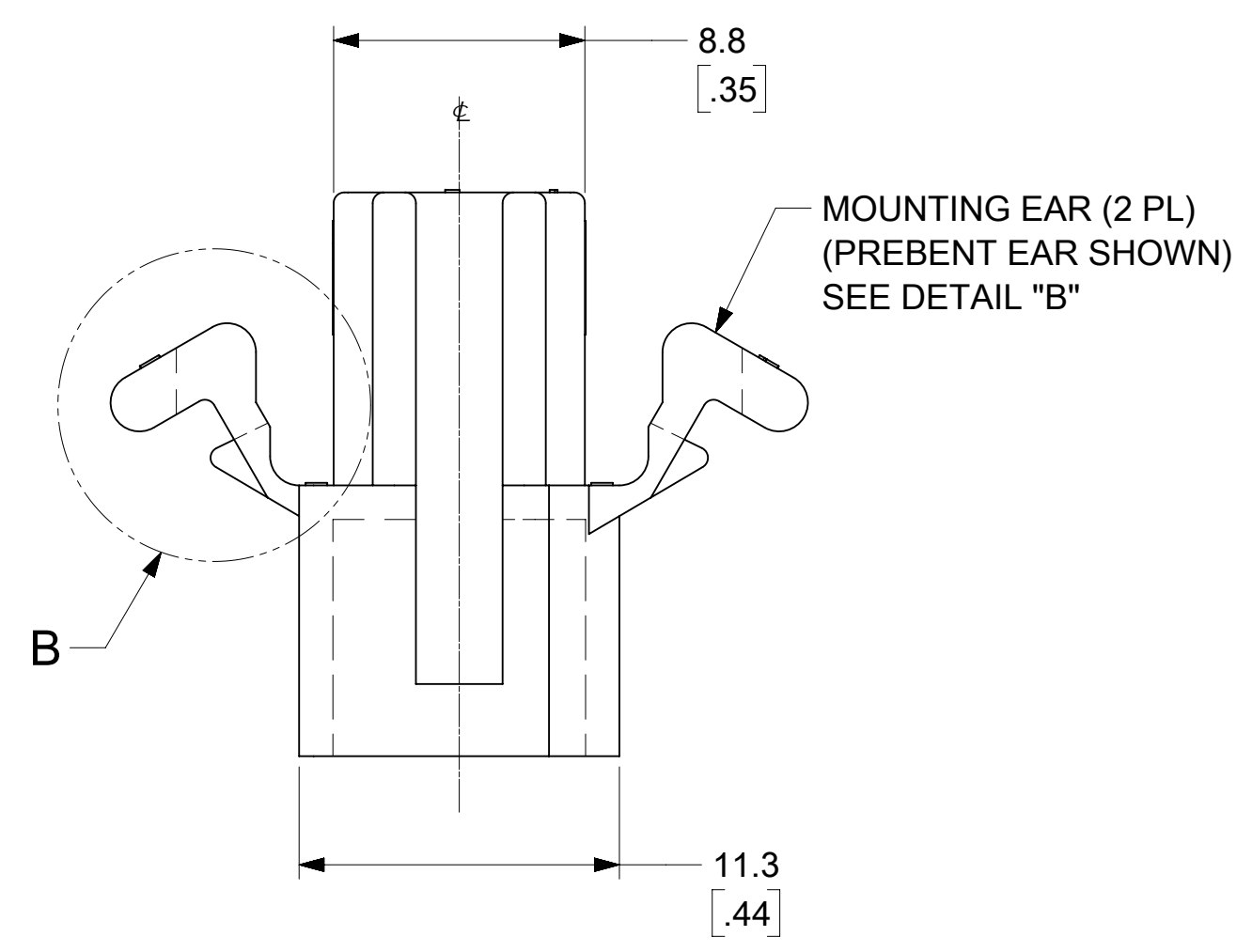
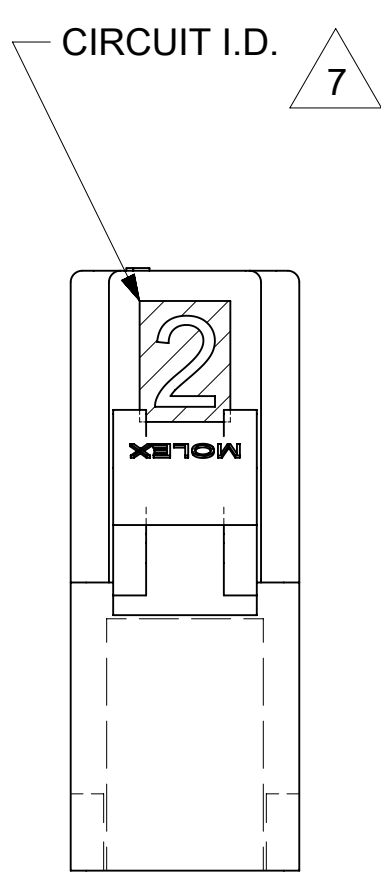


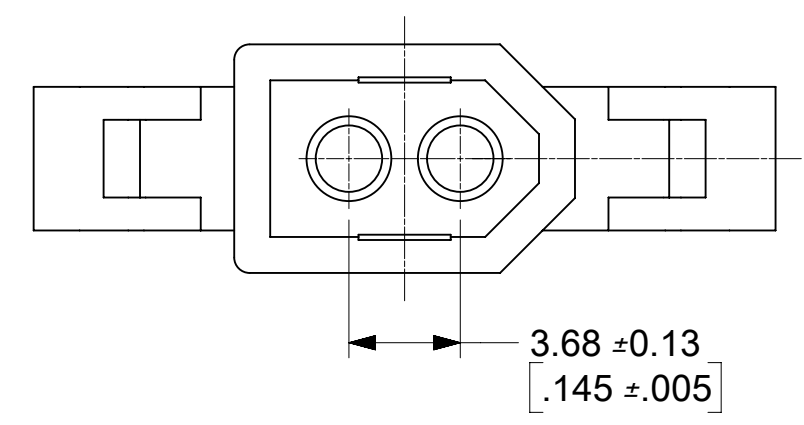
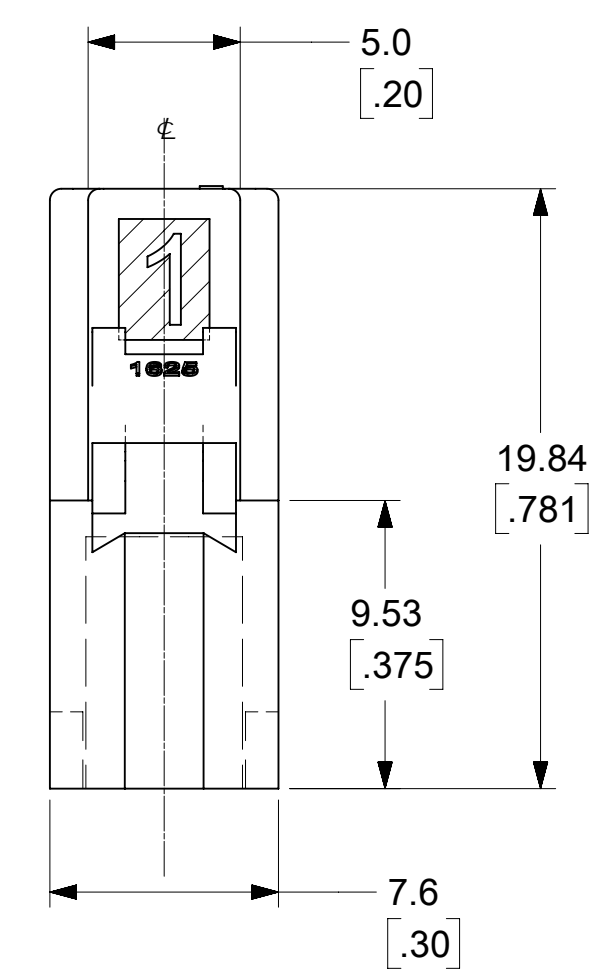
PLUG HOUSING WITH NO EARS



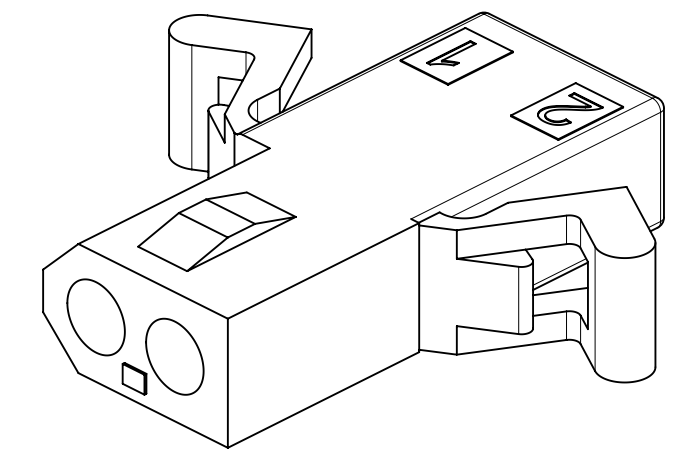
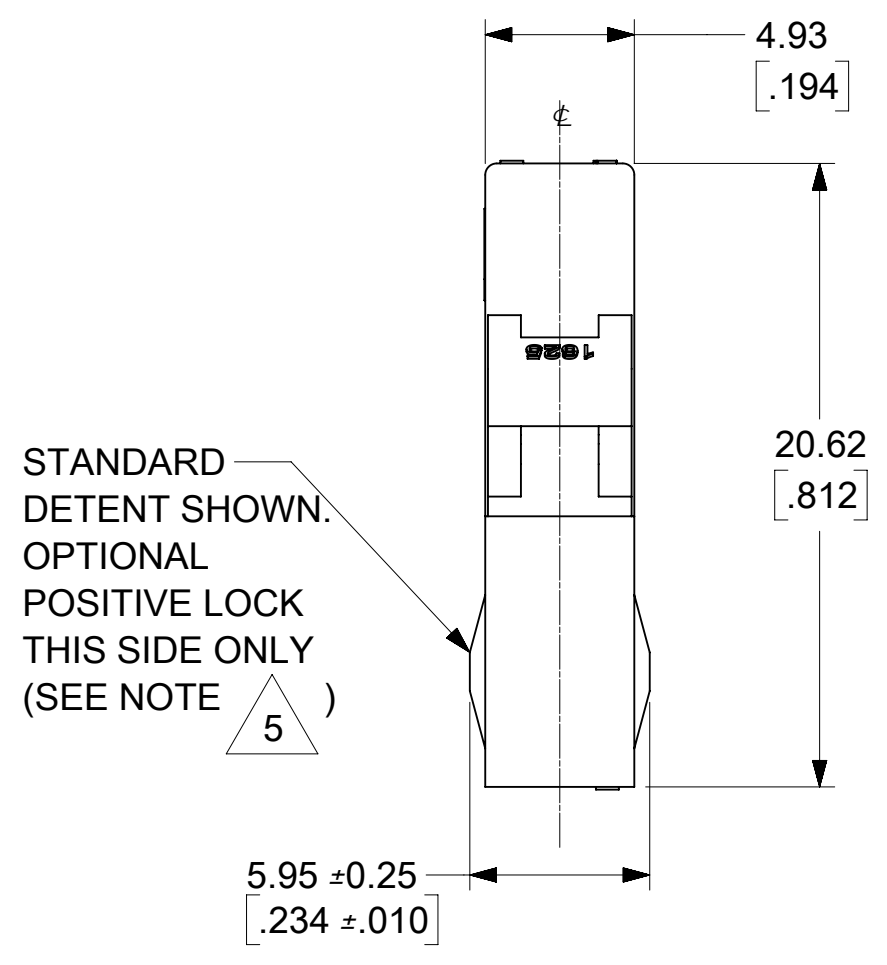
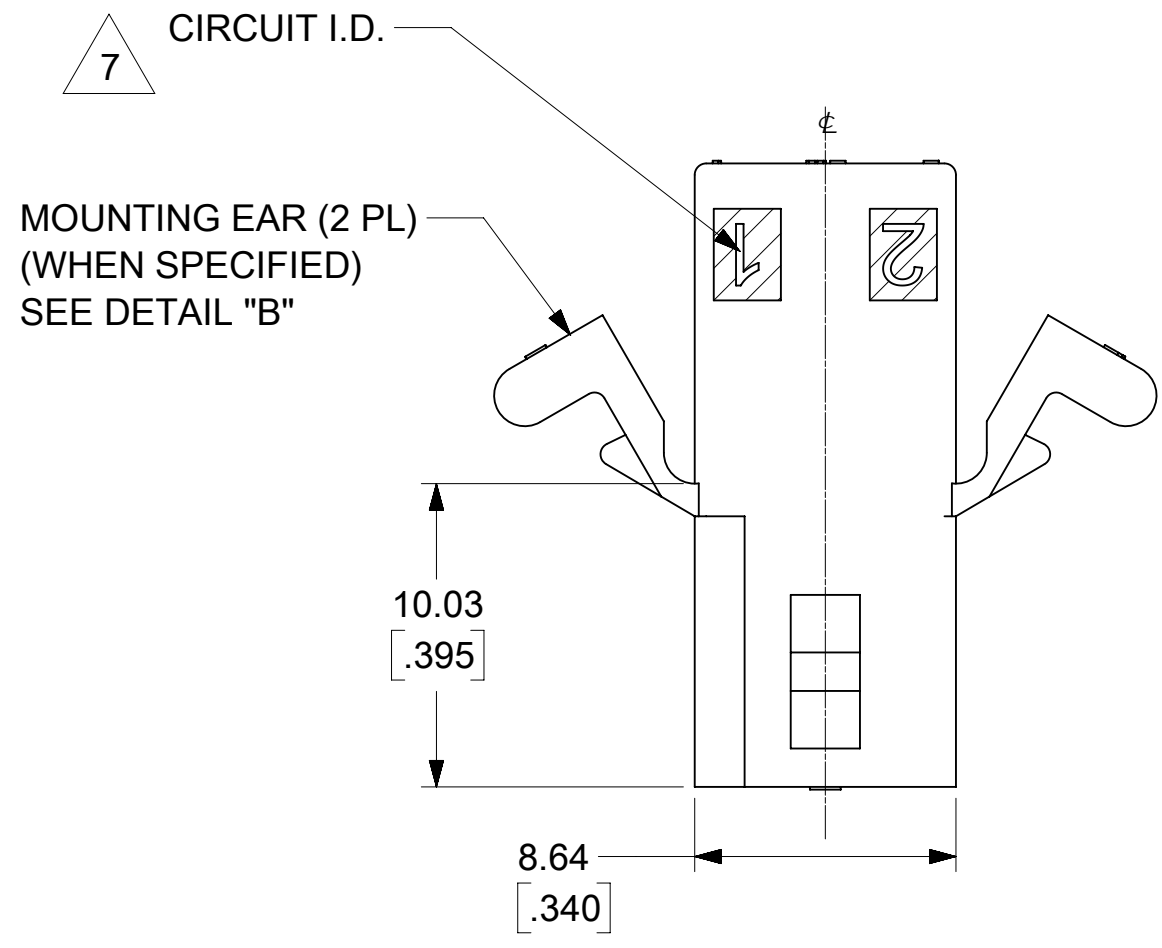
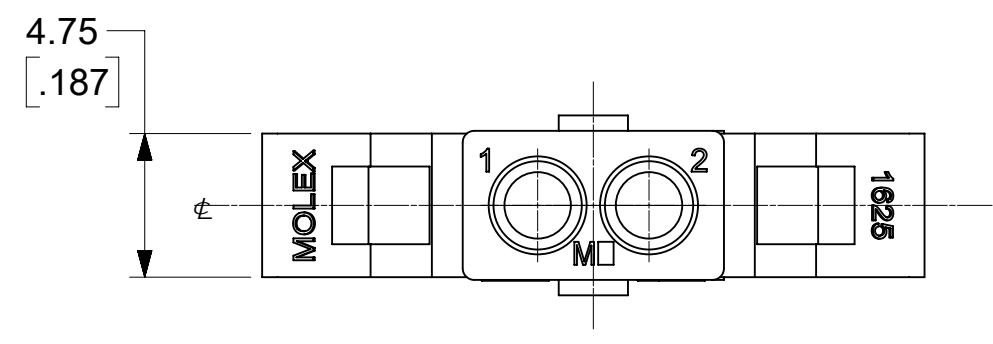
PLUG HOUSING WITH PREBENT EARS



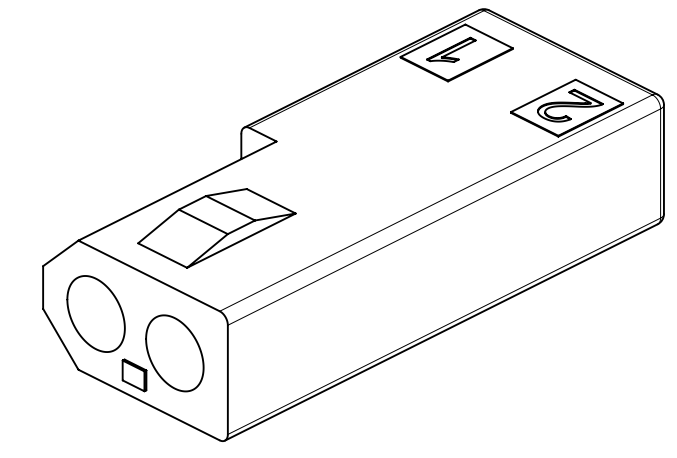
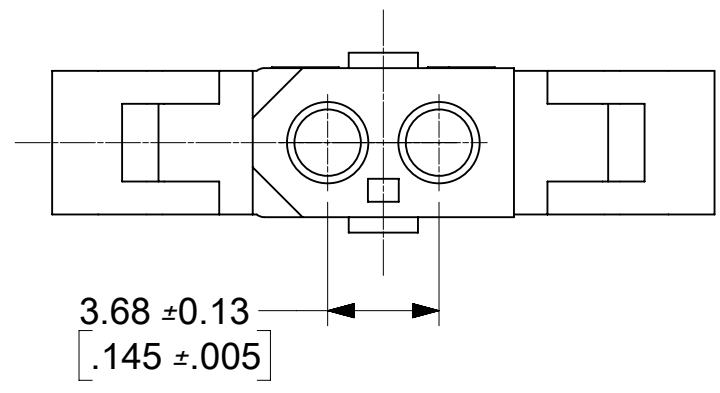
MOUNTING EAR (2 PL)
(PREBENT EAR SHOWN)
SEE DETAIL "B"



QUALITY SYMBOLS		THIS DRAWING CONTAINS INFORMATION THAT IS PROPRIETARY TO MOLEX ELECTRONIC TECHNOLOGIES, LLC AND SHOULD NOT BE USED WITHOUT WRITTEN PERMISSION																	
▽ = 0	REDRAWING IN NX EC NO: 120335 DRWN: MKIPPER CHKD: MKIPPER REV / APPR: FSMITH	GENERAL TOLERANCES (UNLESS SPECIFIED)				DIMENSION UNITS		SCALE											
▽ = 0						MM/IN		4:1											
▽ = 0						DRWN BY		DATE											
▽ = 0						4 PLACES ±		ZHARPER		2017/06/20		.062 2CKT PLUG AND RECEPTACLE HOUSING							
▽ = 0						3 PLACES ±		CHK'D BY		DATE									
▽ = 0						2 PLACES ± 0.18		MKIPPER		2017/06/20		PRODUCT CUSTOMER DRAWING							
▽ = 0						1 PLACES ± 0.25		APPR BY		DATE		SERIES		MATERIAL NUMBER		CUSTOMER			
▽ = 0						0 PLACES ±		FSMITH		2017/06/30		1625		SEE CHART					
▽ = 0						ANGULAR TOL = 1.0		DRAWING SIZE		THIRD ANGLE PROJECTION		DOCUMENT NUMBER		DOC TYPE		DOC PART		SHEET NUMBER	
▽ = 0						DRAFT WHERE APPLICABLE MUST REMAIN WITHIN DIMENSIONS		C				16250200-SD		PSD		000		1 OF 3	
▽ = 0																			



RECEPTACLE HOUSING
(1625-2R2 SHOWN)



RECEPTACLE HOUSING
(1625-2R3 SHOWN)

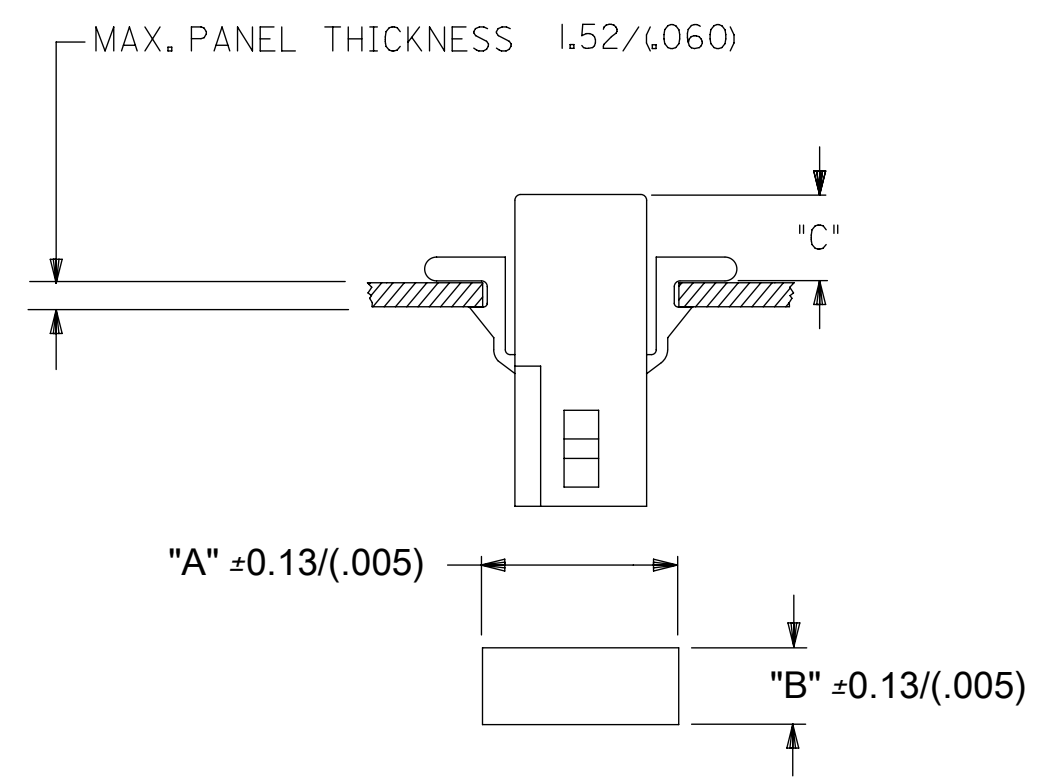
QUALITY SYMBOLS		THIS DRAWING CONTAINS INFORMATION THAT IS PROPRIETARY TO MOLEX ELECTRONIC TECHNOLOGIES, LLC AND SHOULD NOT BE USED WITHOUT WRITTEN PERMISSION															
▽ = 0	▽ = 0	REDRAWING IN NX EC NO: 120335 DRWN: MKIPPER CHKD: MKIPPER REV / APPR: FSMITH	GENERAL TOLERANCES (UNLESS SPECIFIED)				DIMENSION UNITS		SCALE								
▽ = 0	▽ = 0		MM		INCH		MM/IN		4:1								
▽ = 0	▽ = 0		4 PLACES ±		±		DRWN BY		DATE		.062 2CKT PLUG AND RECEPTACLE HOUSING						
▽ = 0	▽ = 0		3 PLACES ±		± 0.007		ZHARPER		2017/06/20								
▽ = 0	▽ = 0		2 PLACES ±		± 0.18 ± 0.01		CHK'D BY		DATE								
▽ = 0	▽ = 0	1 PLACES ±		± 0.25 ±		MKIPPER		2017/06/20		PRODUCT CUSTOMER DRAWING							
▽ = 0	▽ = 0	0 PLACES ±		±		APPR BY		DATE		SERIES		MATERIAL NUMBER		CUSTOMER			
▽ = 0	▽ = 0	ANGULAR TOL = 1.0				DRAWING SIZE		THIRD ANGLE PROJECTION		1625		SEE CHART					
▽ = 0	▽ = 0	DRAFT WHERE APPLICABLE MUST REMAIN WITHIN DIMENSIONS				C				DOCUMENT NUMBER		DOC TYPE		DOC PART		SHEET NUMBER	
▽ = 0	▽ = 0	A		REV		APP		DATE		16250200-SD		PSD		000		2 OF 3	

PLUG	
PART NO.	ENG. NO.
03-06-7023	1625-2P1BK
03-06-2023	1625-2P1
03-06-2024	1625-2P2

PLUG LEGEND:
 1625-2P **
 CIRCUIT SIZE
 P = PLUG
 1 = WITHOUT MOUNTING EARS
 2 = WITH PREBENT MOUNTING EARS
 BLANK = NATURAL
 BK = BLACK

RECEPTACLE	
PART NO.	ENG. NO.
03-06-6023	1625-2R1BK
03-06-1023	1625-2R1
03-06-1022	1625-2R2

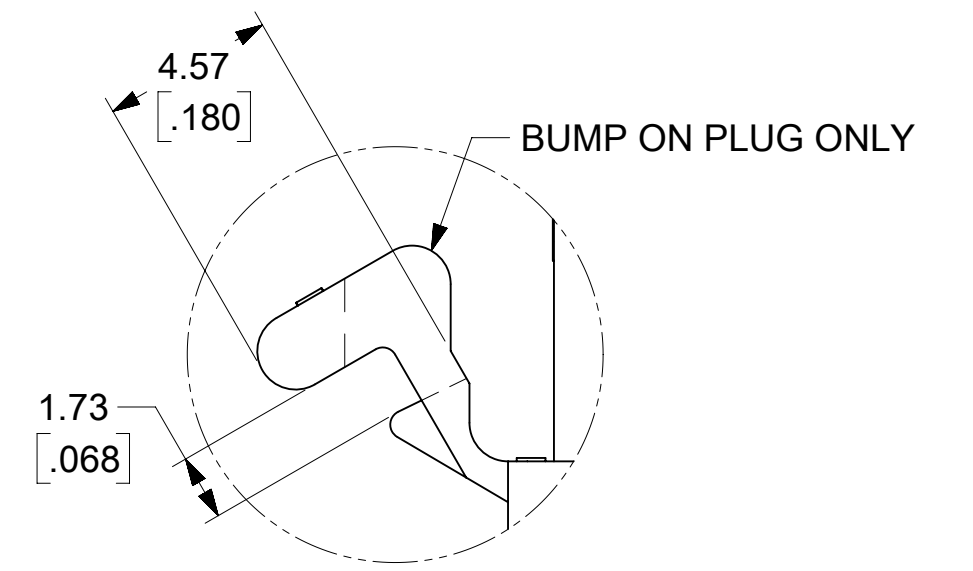
RECEPTACLE LEGEND:
 1625-2R **
 CIRCUIT SIZE
 R = RECEPTACLE
 1 = WITHOUT MOUNTING EARS; WITH DETENTS
 2 = WITH PREBENT MOUNTING EARS; WITH DETENTS
 BLANK = NATURAL
 BK = BLACK



"A" $\pm 0.13/(.005)$
 "B" $\pm 0.13/(.005)$
 "C"

RECOMMENDED HOLE PATTERN
 (NOT TO SCALE)

HOUSING	DIM. "A"	DIM. "B"	PREBENT EAR DIM. "C"	STD. EAR DIM. "C"
PLUG	15.47 [.609]	8.08 [.318]	6.0 [.24]	6.1 [.24]
RECEPTACLE	12.83 [.505]	6.73 [.265]	6.4 [.25]	6.4 [.25]



DETAIL B
 SCALE 5:1

- NOTES:**
1. MATERIAL - NYLON TYPE 6/6, 94V-2
 2. FINISH: NONE
 3. PRODUCT SPECIFICATION: PS-02-06
 4. PACKAGING SPECIFICATION: PK-1625-003.
 5. HOUSING FOR USE WITH MOLEX .062/(1.57) DIA. SERIES TERMINALS.
 6. CIRCUIT I.D. NUMBERS ON SIDE OF HOUSING APPEAR ON PARTS FROM TOOLS BUILT AFTER 07/01/1991.
 7. THIS PART CONFORMS TO CLASS B REQUIRMENTS OF COSMETIC SPECIFICATION PS-45499-002.
 8. THIS DRAWING REPLACES SD-1625-2*.

QUALITY SYMBOLS 	THIS DRAWING CONTAINS INFORMATION THAT IS PROPRIETARY TO MOLEX ELECTRONIC TECHNOLOGIES, LLC AND SHOULD NOT BE USED WITHOUT WRITTEN PERMISSION				
	REDRAWING IN NX EC NO: 120335 DRWN: MKIPPER CHKD: MKIPPER REV / APPR: FSMITH	GENERAL TOLERANCES (UNLESS SPECIFIED) MM/IN 4 PLACES \pm \pm 3 PLACES \pm ± 0.007 2 PLACES ± 0.18 ± 0.01 1 PLACES ± 0.25 \pm 0 PLACES \pm \pm		DIMENSION UNITS MM/IN	SCALE 4:1
		DRWN BY: ZHARPER DATE: 2017/06/20		CHK'D BY: MKIPPER DATE: 2017/06/20	
		APPR BY: FSMITH DATE: 2017/06/30		DRAWING SIZE: C THIRD ANGLE PROJECTION	
DRAFT WHERE APPLICABLE MUST REMAIN WITHIN DIMENSIONS		PRODUCT CUSTOMER DRAWING			
SERIES: 1625 MATERIAL NUMBER: SEE CHART CUSTOMER:		DOCUMENT NUMBER: 16250200-SD DOC TYPE: PSD DOC PART: 000 SHEET NUMBER: 3 OF 3			