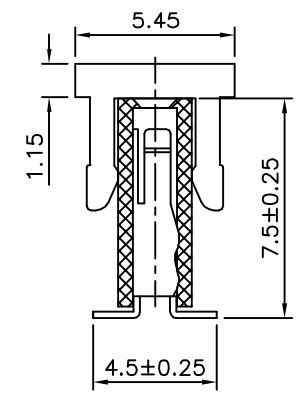
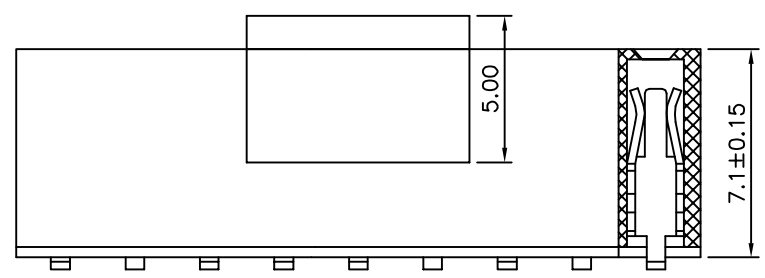
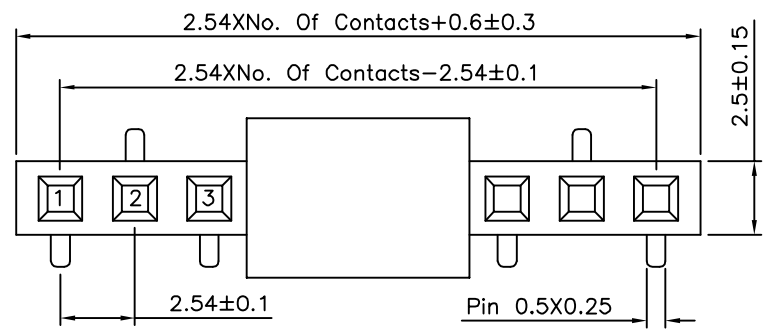


Recommended P.C.B. Layout (Top View)
(PCB Board Tolerance ± 0.05)



SPECIFICATION

Current Rating:3A
 Withstand Voltage:1000V AC
 Contact Resistance:20 Milliohms Max.
 Insulation Resistance:1000 Megaohms Min.
 Operating Temperature:-40°C~+105°C
 Insulator:PA6T(UL94V-0),Black
 Contact:Phosphor Bronze,Gold Flash Over Nickel
 RoHS Compliant

4UCON 元化興業股份有限公司
 4UCON TECHNOLOGY INC.

DRAWING No. 22331
 SCALE NONE

APPROVED BY EMILY
 CHECKED BY HZF
 DRAWING BY HAO
 REV. A0

UNLESS OTHERWISE SPECIFIED TOLERANCES ARE
 X: ± 0.25 X.: $\pm 2^\circ$
 .X: ± 0.20 .X.: $\pm 1.5^\circ$
 .XX: ± 0.15 .XX.: $\pm 1^\circ$
 .XXX: ± 0.10 .XXX.: $\pm 0.5^\circ$

NO.	REV.	REVISIONS	CHK	DATE
△ A0		NEW RELEASE	HZF	05/12/2014