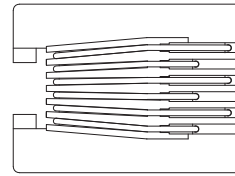


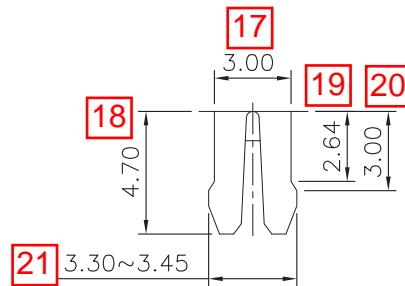
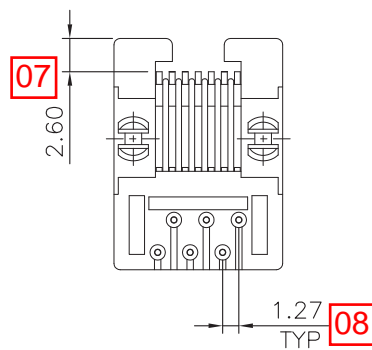
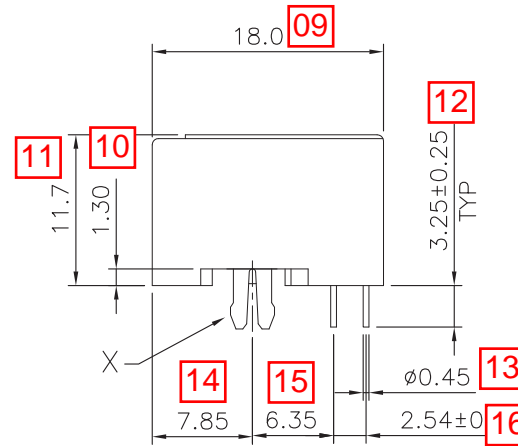
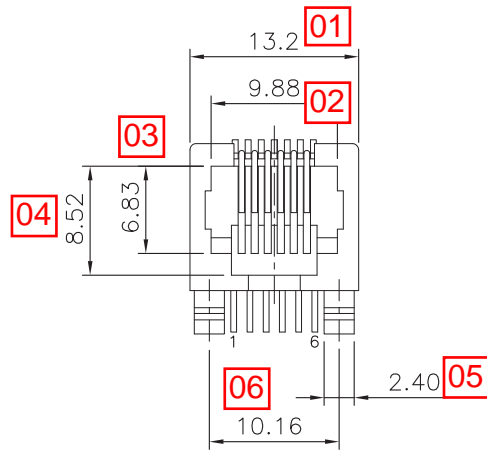
RoHS Compliance



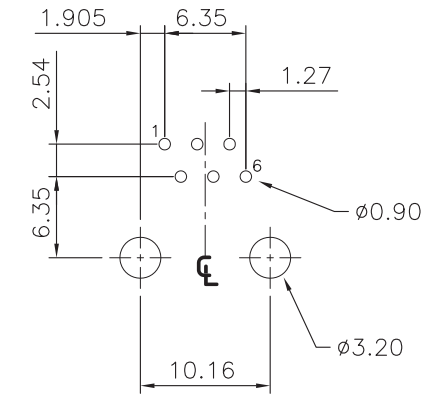
MATERIAL:

- HOUSING—DSM STANYL TE250F6 (NYLON-46)
HEAT DEFLECTION TEMP.290°
BLACK COLOR, UL94V-0.
- CONTACTS—0.45mm DIAMETER PHOS-BRONZE
PLATED WITH HARD GOLD.

CAVITY CONFIRMS TO FCC RULES AND REGULATIONS PART 68,SUBPART F.



DETAIL X



PC Board Layout Ref.

Sunny Young Enterprise Co., Ltd.
S. Y. E <http://www.sunnyyoung.com.tw>
No. 276, Nan-Yang St, Xizhi Dist., New Taipei City 221, Taiwan(R. O. C.)
Tel:+886 2 2694 5995(REP) Fax:+886 2 2694 3721

DO NOT SCALE DRAWING	TOLERANCES UNLESS OTHERWISE NOTED	INCH	MM	DR. <i>M.L.HUANG</i>	DATE JUN-12 '08					
THIRD ANGLE PROJECTION	LINEAR $\frac{\text{MM}}{\text{INCH}}$	00 ± .01 000 ± .005 0000 ± .002	0.0 ± 0.25 0.00 ± 0.13 0.000 ± 0.05	CK'D <i>M.CHANG</i>	JUN-12 '08	TITLE 6POSITION, SIDE ENTRY, VERY LOW PROFILE, PCB JACK				
MM INCH	ANGLE ± 0° 30'	RADII	+ 0.40 - 0.15	APP'D <i>W.J.YANG</i>	JUN-13 '08	SCALE	SIZE	DWG.NO. 969402	REV. 5	SHEET 1