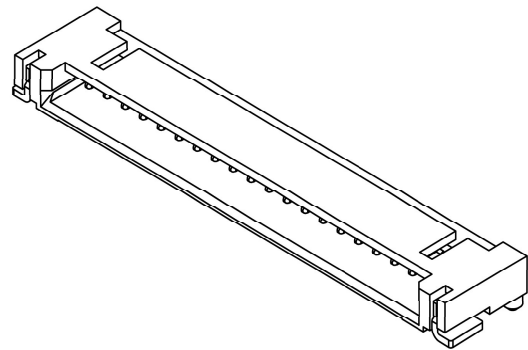
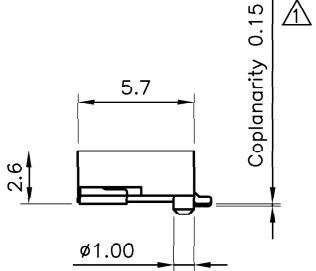


PCB PATTREN LAYOUT



**NOTES**

- Part No: 1253-SMTR-xxP
- Material:  
Housing: Thermal Plastic, UL 94V-0  
Color: Nature
- Terminal: Copper Alloy, Tin plated
- Fitting: Copper Alloy, Tin plated
- Mates with: 1253-H-xxP

**SPECIFICATIONS**

- Voltage rating: 100V AC Max.
- Current rating: 1A
- Withstand Voltage: 500V AC/ minute
- Insulation resistance: 500MΩ Min.
- Temperature range: -25~+85°C

PIN NO.	PART NO.	DIMENSION			
		A	B	C	D
20	1253-SMTR-20P	29.95	23.75	28.95	30.55
25	1253-SMTR-25P	36.20	30.00	35.20	36.80
30	1253-SMTR-30P	42.45	36.25	41.45	43.05

PROJECTION		PART NO.	
SCALE	2.5/1	UNIT	mm
SIZE	A4	SHEET	1/2
		TITLE	1.25mm Wire to Board Connector
		DWN. NO.	REV. B

TOLERANCES UNLESS NOTED	
LINEAR ±	.x ±0.3 .xx ±0.15 .xxx ±0.08
ANGLES ±	2°

REVISIONS	DATE	BY	CHKD
ADD	2012.09.10	JOHNSON	Da-Lin