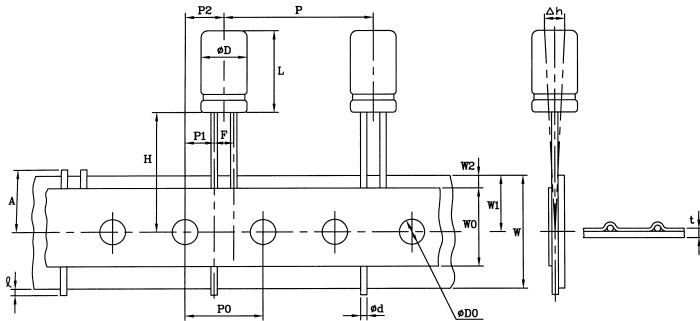


DRAWING I CODE T1 Lead space 2.5mm

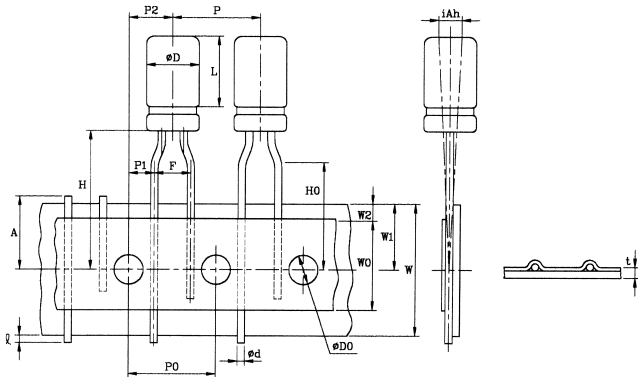


| Body Dia ϕ 3 ϕ 4, ϕ 5, ϕ 6.3 (mm) | | |
|---|-----------|------------|
| Symbol | Dimension | Tolerance |
| P | 12.7 | ± 1.0 |
| Po | 12.7 | ± 0.3 |
| P ₂ | 6.35 | ± 1.0 |
| F | 2.5 | ± 0.5 |
| Δ_h | 0 | ± 2.0 |
| W | 18.0 | ± 0.5 |
| W _o | 12.5 | min. |
| W ₁ | 9.0 | ± 0.5 |
| W ₂ | 2.0 | max. |
| H | 18.5 | ± 0.75 |
| H _o | 16.0 | ± 0.5 |
| ℓ | 2.0 | max. |
| D _o | 4.0 | 0.2 |
| t | 0.7 | 0.5 |
| A | 11.10 | max. |
| L | 7.11 | + 10 |

PACKAGING:

| ϕ D | Q'TY | BOX (pcs) | CARTON (pcs) | KGS/CTN |
|----------|------|-----------|--------------|---------|
| 4 | | 2,500 | 25,000 | 10.0 |
| 5x7 | | 2,000 | 20,000 | 10.0 |
| 5x11 | | 2,000 | 20,000 | 11.4 |
| 6.3x7 | | 1,500 | 15,000 | 10.0 |
| 6.3x11 | | 1,500 | 15,000 | 11.8 |

DRAWING II CODE TA Lead space 5mm

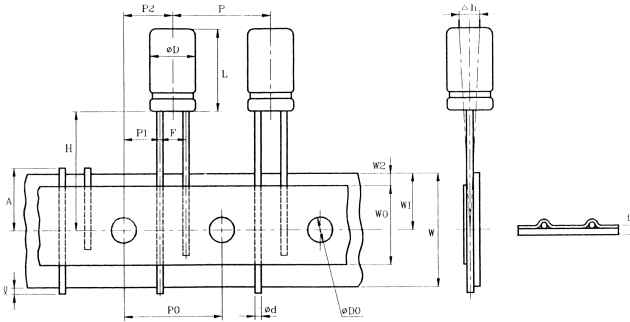


| Body Dia ϕ 3, ϕ 4, ϕ 5, ϕ 6.3, ϕ 8 (mm) | | |
|--|-----------|------------|
| Symbol | Dimension | Tolerance |
| P | 12.7 | ± 1.0 |
| Po | 12.7 | ± 0.3 |
| P ₂ | 6.35 | ± 1.0 |
| F | 5.0 | ± 0.5 |
| Δ_h | 0 | ± 2.0 |
| W | 18.0 | ± 0.5 |
| W _o | 12.5 | min. |
| W ₁ | 9.0 | ± 0.5 |
| W ₂ | 2.0 | max. |
| H | 18.5 | ± 0.75 |
| H _o | 16.0 | ± 0.5 |
| ℓ | 2.0 | max. |
| D _o | 4.0 | 0.2 |
| t | 0.7 | 0.5 |
| A | 11.0 | max. |
| L | 7,11,11 | + 10 |

PACKAGING:

| ϕ D | Q'TY | BOX (pcs) | CARTON (pcs) | KGS/CTN |
|----------|------|-----------|--------------|---------|
| 4 | | 2,500 | 25,000 | 10.0 |
| 5x7 | | 2,000 | 20,000 | 10.0 |
| 5x11 | | 2,000 | 20,000 | 11.4 |
| 6.3x7 | | 1,500 | 15,000 | 10.0 |
| 6.3x11 | | 1,500 | 15,000 | 11.8 |
| 8x12 | | 1,000 | 10,000 | 11.8 |
| 8x14 | | 1,000 | 10,000 | 14.4 |

DRAWING III CODE T2 Lead space 5mm

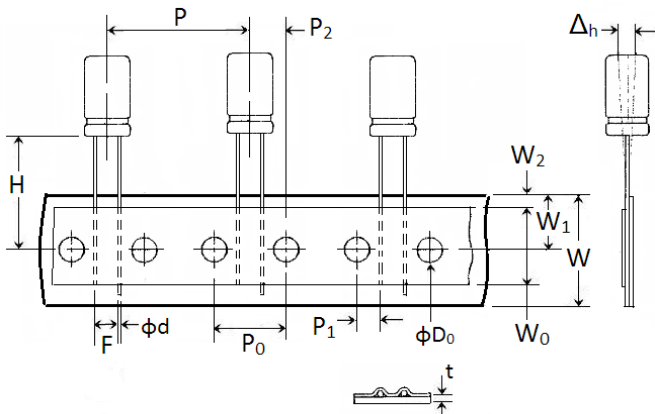


| Symbol | Dimension | | Tolerance |
|----------------|------------|-------|-----------|
| | φ 10 | φ 13 | |
| P | 12.7 | 15 | +1 |
| P ₀ | 12.7 | 15 | + 0.3 |
| P ₂ | 6.35 | 7.5 | + 1.0 |
| F | 5.0 | 5.0 | ±0.5 |
| Δ _h | 0 | 0 | + 2.0 |
| W | 18.0 | 18.0 | + 0.5 |
| W ₀ | 12.5 | 12.5 | min. |
| W ₁ | 9.0 | 9.0 | + 0.5 |
| W ₂ | 2.0 | 2.0 | max. |
| H | 18.5 | 18.5 | + 0.75 |
| H ₀ | 2.0 | 2.0 | max. |
| ℓ | 4.0 | 4.0 | + 0.2 |
| D ₀ | 0.7 | 0.7 | + 0.5 |
| t | 11.0 | 11.0 | max. |
| A | 0.6 | 0.6 | ±0.05 |
| L | 12.5,16,21 | 21,26 | + 1.5 |

PACKAGING :

| Q'TY φ D | BOX (pcs) | CARTON (pcs) | KGS/CTN |
|-------------|--------------|-----------------|---------|
| 10x13 | 500 | 5,000 | 9.7 |
| 10x16 | 500 | 5,000 | 12.0 |
| 10x21 | 500 | 5,000 | 14.4 |
| 13x21 | 300 | 3,000 | 13.3 |
| 13x26 | 300 | 3,000 | 16.7 |

DRAWING IV CODE T3 Lead space 7.5mm



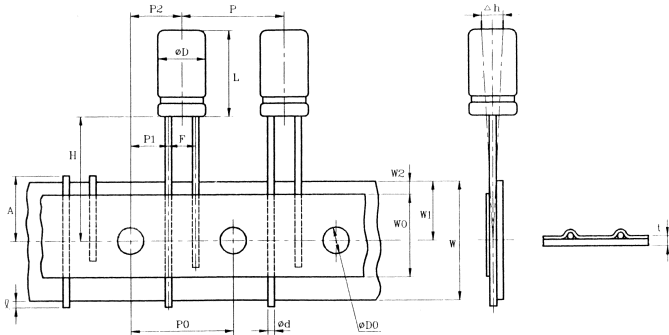
| Symbol | Dimension | Tolerance |
|----------------|-----------|-----------|
| | φ 16 | |
| P | 30.0 | + 1.0 |
| P ₀ | 15.0 | + 0.3 |
| P ₂ | 7.5 | + 1.0 |
| F | 7.5 | ±5.0 |
| Δ _h | 0 | + 2.0 |
| W | 18.0 | + 0.5 |
| W ₀ | 12.5 | min. |
| W ₁ | 9.0 | + 0.5 |
| W ₂ | 2.0 | max. |
| H | 18.5 | + 0.75 |
| ℓ | 2.0 | 2.0 |
| D ₀ | 4.0 | + 0.2 |
| t | 0.7 | + 0.2 |
| A | 11.0 | max. |
| φd | 0.8 | + 0.05 |
| L | 26,31 | |

PACKAGING :

| Q'TY φ D | BOX (pcs) | CARTON (pcs) | KGS/CTN |
|-------------|-----------|--------------|---------|
| 16x26 | 300 | 1,500 | 13.3 |
| 16x31.5 | 300 | 1,500 | 13.3 |

*Body Height 31.5mm Max.

DRAWING V CODE T35 Lead space 3.5mm



| Symbol | Dimension | Tolerance |
|-----------------|-----------|-----------|
| | φ 8 | |
| P | 12.7 | + 1.0 |
| P ₀ | 12.7 | + 0.3 |
| P ₂ | 6.35 | + 1.0 |
| F | 3.5 | ± 0.5 |
| Δ _h | 0 | + 2.0 |
| W | 18.0 | ±0.5 |
| W ₀ | 12.5 | min. |
| W ₁ | 9.0 | + 0.5 |
| W ₂ | 2.0 | max. |
| H | 18.5 | + 0.75 |
| t | 2.0 | max. |
| φD ₀ | 4.0 | + 0.2 |
| t | 0.7 | + 0.5 |
| A | 11.0 | max. |
| φd | 0.6 | ±0.05 |
| L | 12,14,16 | + 1.5 |

PACKAGING :

| φ D | Q'TY | BOX (pcs) | CARTON (pcs) | KGS/CTN |
|------|------|-----------|--------------|---------|
| 8x12 | | 1,000 | 10,000 | 11.8 |
| 8x14 | | 1,000 | 10,000 | 14.4 |

PACKAGE & WEIGHT

RADIAL TYPE, BULK PACKAGE

| No. | DIMENSION (mm) | ONE BAG (pcs) | INNER BOX (pcs) | CARTON (pcs) | KGS/CTN |
|-----|----------------|---------------|-----------------|--------------|---------|
| 1 | 4φ | 2,000 | 10,000 | 40,000 | 10.9 |
| 2 | 5x7 | 1,000 | 8,000 | 32,000 | 12.1 |
| 3 | 5x11 | 1,000 | 8,000 | 32,000 | 14.0 |
| 4 | 6.3x7 | 1,000 | 6,000 | 24,000 | 11.8 |
| 5 | 6.3x11 | 1,000 | 6,000 | 24,000 | 14.4 |
| 6 | 8x12 | 1,000 | 4,000 | 16,000 | 15.6 |
| 7 | 8x14 | 1,000 | 3,000 | 12,000 | 14.6 |
| 8 | 10x13 | 500 | 2,000 | 8,000 | 12.9 |
| 9 | 10x16 | 500 | 2,000 | 8,000 | 16.4 |
| 10 | 10x21 | 500 | 1,500 | 6,000 | 14.8 |
| 11 | 13x21 | 200 | 1,000 | 4,000 | 14.3 |
| 12 | 13x26 | 200 | 800 | 3,200 | 15.7 |
| 13 | 16x16 | X | 200 | 1,200 | 7.70 |
| 14 | 16x25 | X | 200 | 1,200 | 11.0 |
| 15 | 16x31.5 | X | 200 | 1,200 | 13.4 |
| 16 | 16x35.5 | X | 200 | 1,200 | 14.0 |
| 17 | 18x25 | X | 200 | 1,200 | 13.5 |
| 18 | 18x31.5 | X | 200 | 1,200 | 13.5 |
| 19 | 18x36 | X | 200 | 1,200 | 18.9 |
| 20 | 18x41 | X | 200 | 1,200 | 19.5 |
| 21 | 22x36 | X | 100 | 600 | 12.6 |
| 22 | 22x41 | X | 100 | 600 | 13.7 |
| 23 | 25x41 | X | 50 | 300 | 10.4 |
| 24 | 25x50 | 50 | 100 | 400 | 16.5 |

* weight is for reference only, not accurate. Please reconfirm weight details with your sales.