

915MHz Antenna

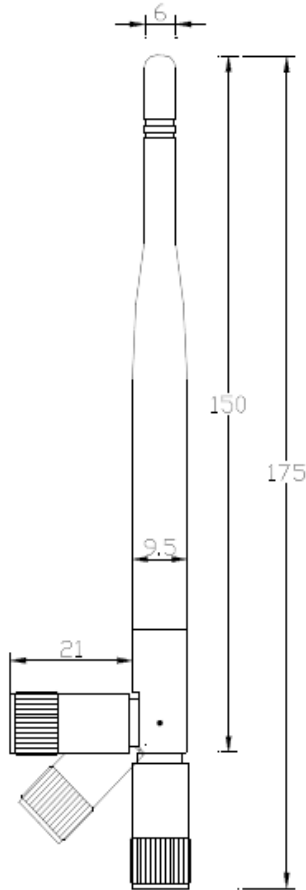
I Product Model: KM-041036



II Electrical Performance

Center Frequency	915 MHz
V.S.W.R	1.5
Gain	3.0 dBi
Polarization	Vertical
Power	30W
Impedance	50 Ω
Lightning Protection	DC Ground
Radiation	Omni
Connector	SMA male
Length	175mm
Max. Diameter	Φ 9.5mm
Min. dimension	Φ 6.0mm
Color	Black or White

III Drawing & Test Report



Unit: mm

CH1 A/R SWR MKR 1 : 1.135 U
REF 1.000 U 1.000 U/ 915 000 000. Hz

