



LIGITEK ELECTRONICS CO.,LTD.  
Property of Ligitek Only

---

LED SMD



Lead-Free Parts

LG-150HRFS-CT/T2-A01

# DATA SHEET

DOC. NO : QW0905-LG-150HRFS-CT/T2-A01

REV. : A

DATE : 22 - Aug. - 2023

## Features:

1. Package in 8.0mm carrier tape on 7" diameter reel.
2. Compatible with automatic placement equipment.
3. Compatible with reflow solder process.

## Descriptions:

1. The LG-150 SMD Taping is much smaller than lead frame type components, thus enable smaller board size, higher packing density, reduced storage space and finally smaller equipment to be obtained.
2. Besides, lightweight makes them ideal for miniature applications. etc.

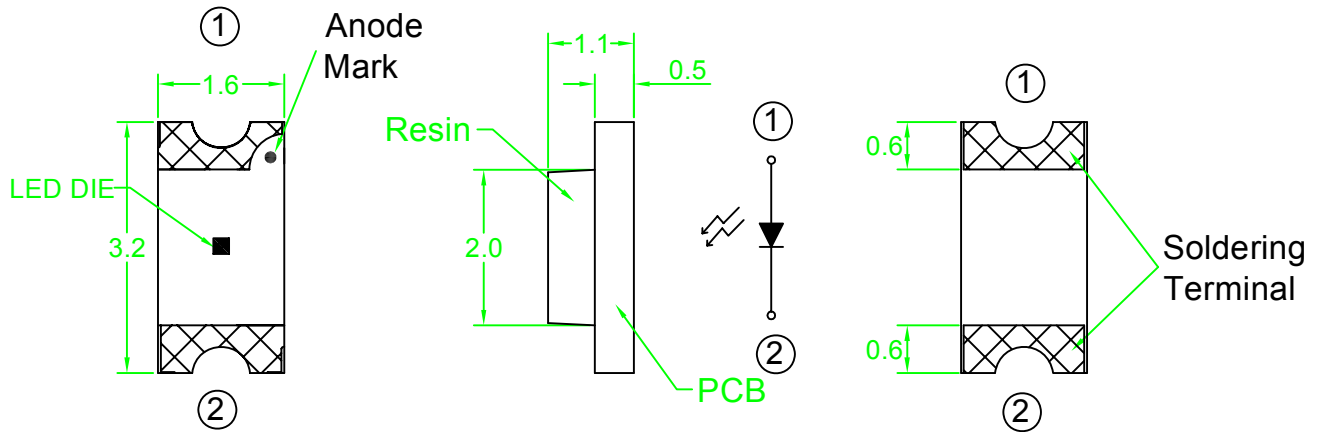
## Applications:

1. Automotive : backlighting in dashboard and switch.
2. Telecommunication : indicator and backlighting in telephone and fax.
3. Flat backlight for LCD, switch and symbol
4. General use.

## Device Selection Guide:

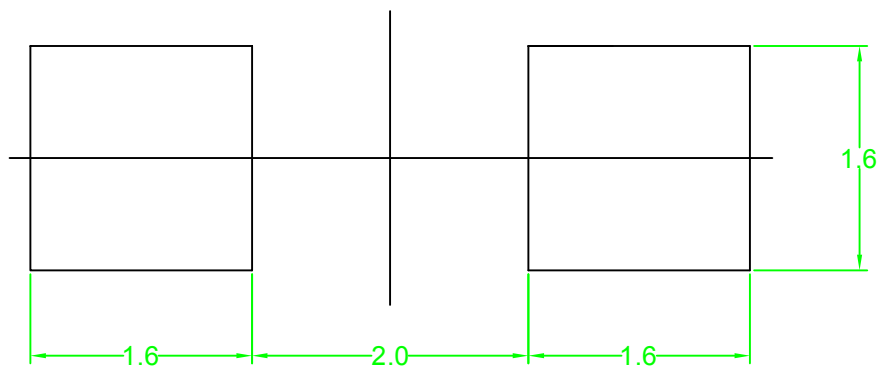
PART NO	MATERIAL	COLOR	
		Emitted	Lens
LG-150HRFS-CT/T2-A01	AlGaInP	Red	Water Clear

**Package Dimensions**



Note : 1.All dimension are in millimeter tolerance is  $\pm 0.1$ mm unless otherwise noted.  
2.Specifications are subject to change without notice.

**Recommended Soldering Pad Dimensions**



Note : The tolerances unless mentioned is  $\pm 0.1$ mm, Angle  $\pm 0.5$ . Unit=mm.

### Absolute Maximum Ratings at Ta=25°C

Parameter	Symbol	Ratings	UNIT
Power Dissipation	PD	44	mW
Peak Forward Current Duty 1/10@10KHz	IFP	40	mA
Forward Current	IF	25	mA
Reverse Current @5V	Ir	10	μA
Electrostatic Discharge	ESD	2000	V
Operating Temperature	Topr	-40 ~ + 85	°C
Storage Temperature	Tstg	-40 ~ + 100	°C

### Typical Electrical & Optical Characteristics (Ta=25°C)

Items	Symbol	Min.	Typ.	Max.	UNIT	CONDITION
Luminous Intensity	Iv	32	50	----	mcd	IF=2mA
Dominant Wavelength	λD	618	----	630	nm	IF=2mA
Spectral Line Half-Width	Δλ	----	20	----	nm	IF=2mA
Forward Voltage	V <sub>F</sub>	1.4	----	2.2	V	IF=2mA
Viewing Angle	2θ 1/2	----	140	----	deg	IF=2mA

Note : 1.The forward voltage data did not including ±0.1V testing tolerance.  
 2. The luminous intensity data did not including ±15% testing tolerance.  
 3.The dominant wavelength data did not including ±1nm testing tolerance.

### Luminous Intensity Classification

BIN CODE	Iv(mcd) at 2mA	
	Min.	Max.
N	32	50
P	50	80
Q	80	125

### Dominant Wavelength Classification

BIN CODE	$\lambda D$ (nm) at 2mA	
	Min.	Max.
27	618	621
28	621	624
29	624	627
30	627	630

### Forward Voltage Classification

BIN CODE	Vf(v) at 2mA	
	Min.	Max.
1	1.4	1.5
2	1.5	1.6
3	1.6	1.7
4	1.7	1.8
5	1.8	1.9
6	1.9	2.0
7	2.0	2.1
8	2.1	2.2

## Typical Electro-Optical Characteristics Curve

### HRFS CHIP

Fig.1 Relative Luminous Intensity VS. Forward Current

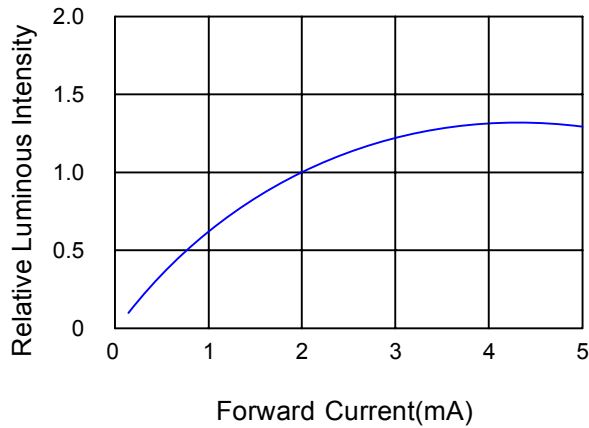


Fig.2 Forward Current VS. Forward Voltage

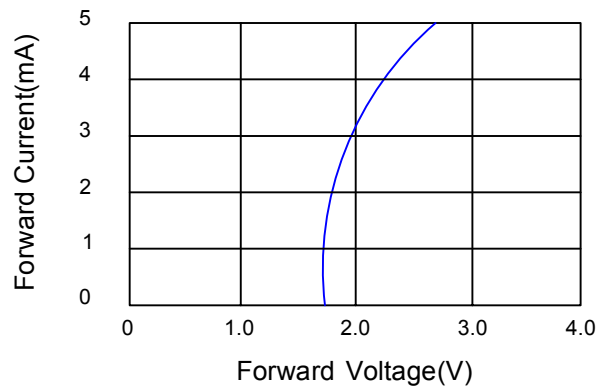


Fig.3 Forward Current vs. Temperature

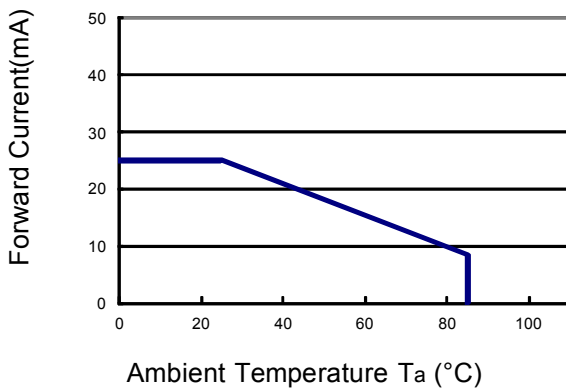


Fig.4 Relative Intensity VS. Ambient Temperature

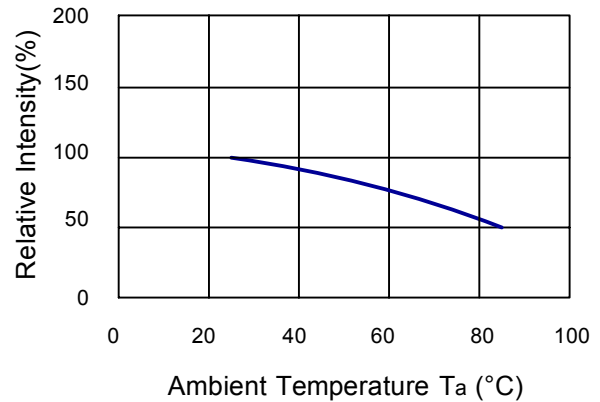


Fig.5 Relative Intensity vs. Wavelength

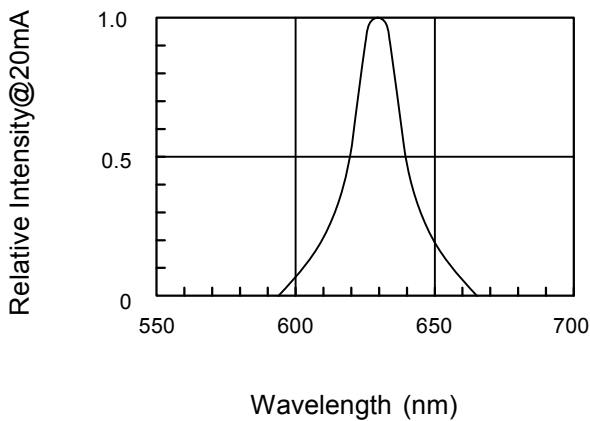
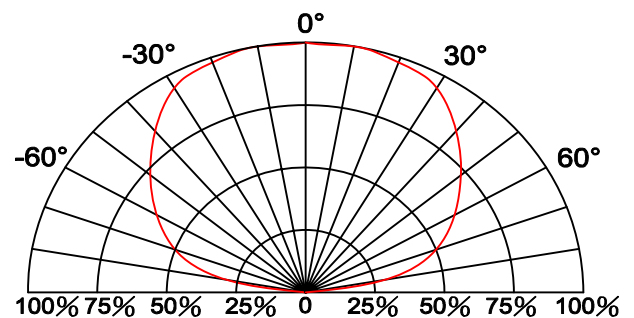
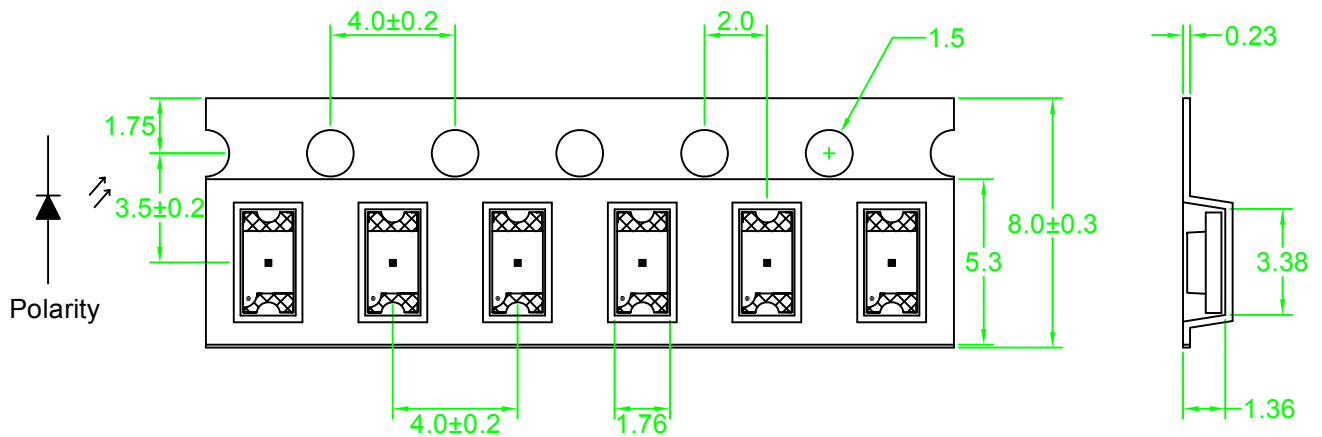


Fig.6 Directive Radiation

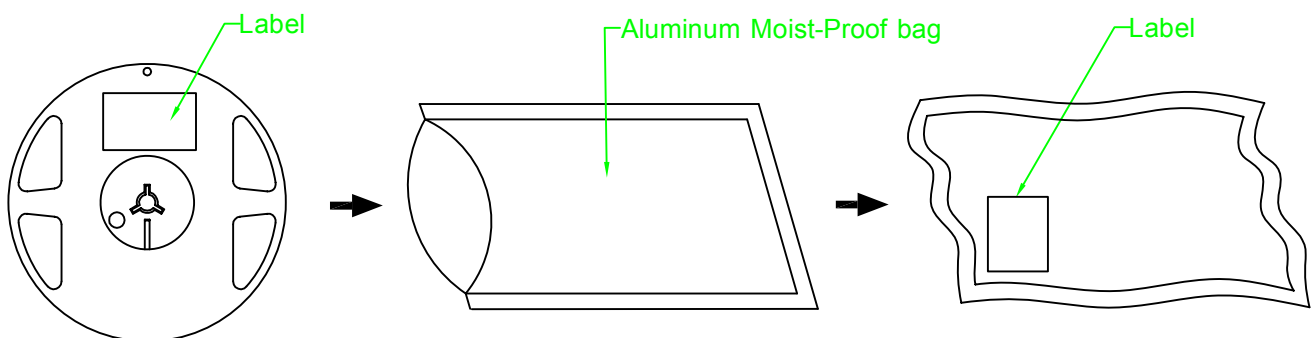


## Carrier Type Dimensions









Note : The tolerances unless mentioned is  $\pm 0.1\text{mm}$ , Angle  $\pm 0.5$ . Unit=mm.

## Packing Specifications



Part No.	Description	Quantity/Reel
LG-150HRFS-CT/T2-A01	8.0mm tape,7"reel	3000 devices

## Label Explanation

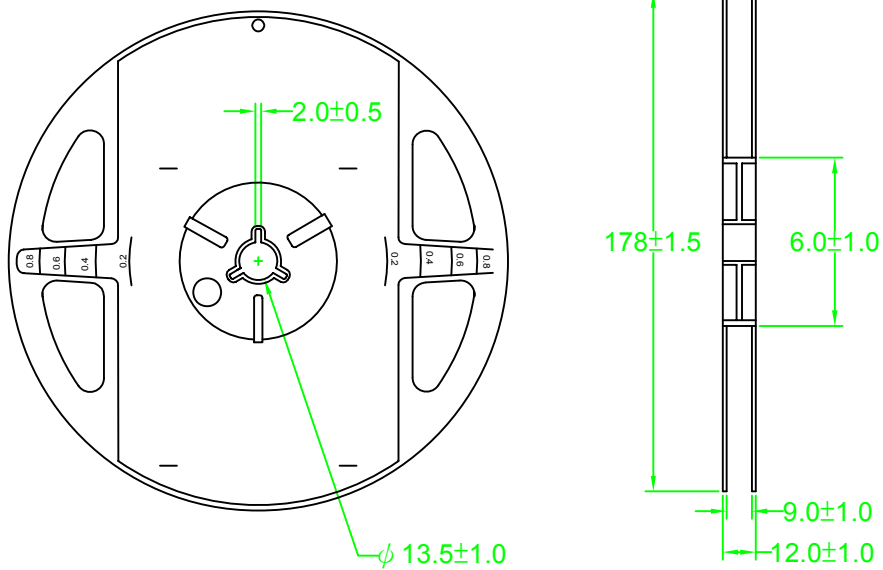
	LIGITEK ELECTRONICS CO., LTD.			
PART :		LG-150HRFS-CT/T2-A01		
LOT :		GS11460168		
QTY(PCS):		3000		
BIN/HUE :		N/28		VF:1.8-1.9

BIN : Luminous Intensity

HUE : Dominant Wavelength

VF : Forward Voltage

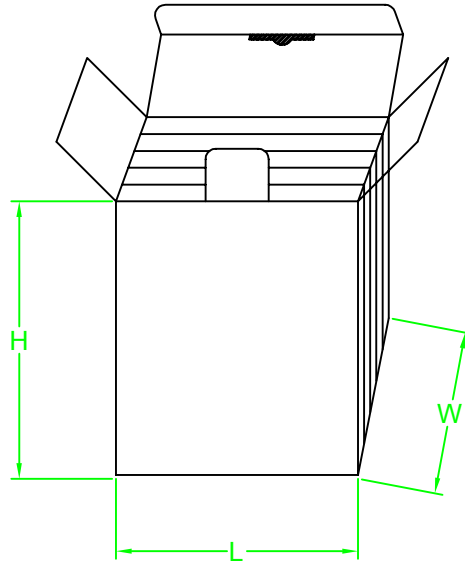
## Reel Dimensions



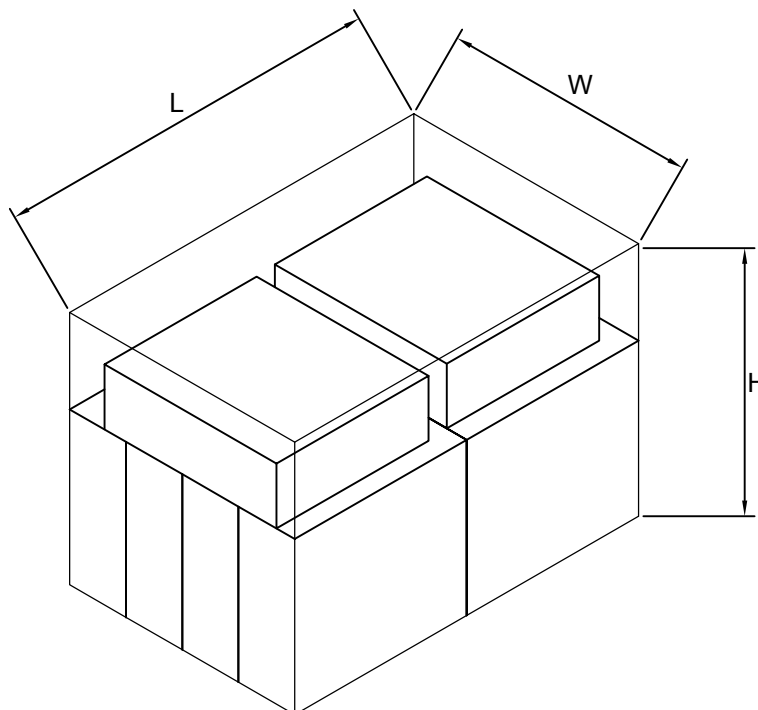


## Box Explanation

1. 5 BAG / INNER BOX
2. INNER BOX SIZE : L X W X H 23cm X 8.5cm x 26cm

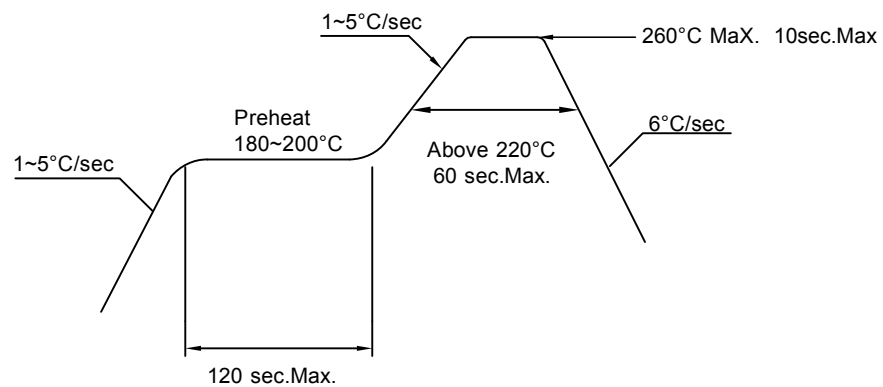


3. 10 INNER BOXES / CARTON
4. CARTON SIZE : L X W X H 58cm X 34cm x 35cm



**Recommended Soldering Conditions****1. Hand Solder**

Basic spec is  $\leq 280^{\circ}\text{C}$  3 sec one time only.

**2. PB-Free Reflow Solder****Note:**

- 1.Reflow soldering should not be done more than two times.
- 2.When soldering,do not put stress on the LEDs during heating.
- 3.After soldering,do not warp the circuit board.

**Precautions For Use:****Storage time:**

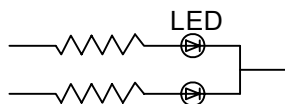
1. Calculated shelf life before opening is 18 months at  $< 30^{\circ}\text{C}$  and  $< 90\%$  relative humidity (RH)
2. After bag is opened, devices which will be subjected to reflow soldering or other high temperature processes must be
  - a) Assembled within one years in an environment of  $\leq 30^{\circ}\text{C} / 60\%$  RH, or
  - b) Stored at ambient of 10% RH or less
3. Devices are required baking before assembly if:
  - a) Humidity Indicator Card reads  $>10\%$  (for level 2a -5a) or  $>60\%$  (for level 2) at ambient temperature  $23\pm 5^{\circ}\text{C}$
  - b) 2.a) or 2.b) doesn't meet
4. If baking is required, devices should be baked for  $>72$  hours at  $60\pm 5^{\circ}\text{C} / 5\%$  RH. Performing baking only once, and using the baked devices within 72 hours.

**Drive Method:**

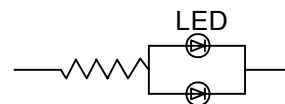
LED is a current operated device, and therefore, requires some kind of current limiting incorporated into the driver circuit. This current limiting typically takes the form of a current limiting resistor placed in series with the LED.

Consider worst case voltage variations than could occur across the current limiting resistor. The forward current should not be allowed to change by more than 40% of its desired value.

Circuit model A



Circuit model B



(A) Recommended circuit.

(B) The difference of brightness between LED could be found due to the VF-IF characteristics of LED.

**Cleaning:**

Use alcohol-based cleaning solvents such as isopropyl alcohol to clean the LED.

**ESD(Electrostatic Discharge):**

Static Electricity or power surge will damage the LED. Use of a conductive wrist band or anti-electrostatic glove is recommended when handling these LED. All devices, equipment and machinery must be properly grounded.

Reliability Test:

Classification	Test Item	Test Condition	Sample Size
Endurance Test	Operating Life Test	1.Ta=25°C 2.If=2mA 3.t=1000 hrs (-24hrs,+72hrs)	22
	High Temperature Storage Test	1.Ta=100°C±5°C 2.t=1000 hrs (-24hrs,+72hrs)	22
	Low Temperature Storage Test	1.Ta=-40°C±5°C 2.t=1000 hrs (-24hrs,+72hrs)	22
	High Temperature High Humidity Storage Test	1.Ta=85°C 2.RH=85% 3.t=1000hrs(-24hrs,+72hrs)	22
Environmental Test	Thermal Shock Test	1.Ta=100°C±5°C ~ -40°C±5°C 20min/ 10sec / 20min 2.total 100 cycles	22
	Temperature Cycling	1.100°C±5°C ~ -40°C±5°C 30mins / 5mins / 30mins 2.100 Cyeles	22
	IR Reflow	1.T=260°C Max. 10sec.Max. 2. 6 Min	22