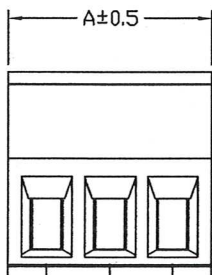
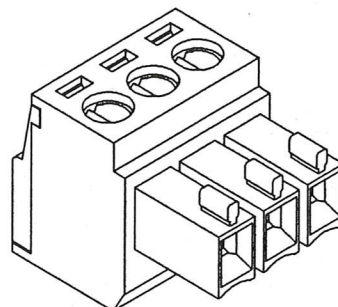
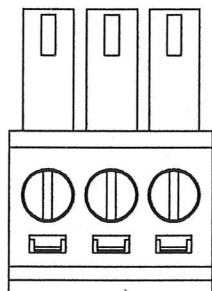


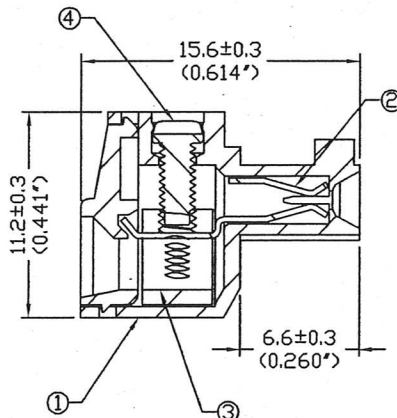
MC420-381 PZ

RoHS Compliant   

  : Poles
381 : Pitch 3.81mm
420 : Standard
MC : Type



3.81±0.1 (0.150") 2.3±0.3 (0.091")



Pitch : 3.81mm(0.150inch)

| Poles | A(mm) | A(inch) | Poles | A(mm) | A(inch) |
|-------|-------|---------|-------|-------|---------|
| 2 | 8.41 | 0.331 | 15 | 57.94 | 2.281 |
| 3 | 12.22 | 0.481 | 16 | 61.75 | 2.431 |
| 4 | 16.03 | 0.631 | 17 | 65.56 | 2.581 |
| 5 | 19.84 | 0.781 | 18 | 69.37 | 2.731 |
| 6 | 23.65 | 0.931 | 19 | 73.18 | 2.881 |
| 7 | 27.46 | 1.081 | 20 | 76.99 | 3.031 |
| 8 | 31.27 | 1.231 | | | |
| 9 | 35.08 | 1.381 | | | |
| 10 | 38.89 | 1.531 | | | |
| 11 | 42.70 | 1.681 | | | |
| 12 | 46.51 | 1.831 | | | |
| 13 | 50.32 | 1.981 | | | |
| 14 | 54.13 | 2.131 | | | |

Current rating : 10Amp AC300V
 Insulation withstands volt : AC2000V min
 Insulation resistance : >2000MΩ DC500V
 Operation temperature : -40°C to +105°C
 Wire strip length : 6.5mm
 Wire range : 16~26 AWG
 Screw torque : 2.5 lb-inch

文件管制
 98.3.24
 文管中心

CONFIRMED & ACCEPTED BY

| | Material | Plating/Finish | Remark |
|---|---------------------------------------|-----------------------|--------|
| 1 | Insulating body Polyamide 66(UL94V-0) | | Green |
| 2 | Contact Phosphor bronze | Tin plated | |
| 3 | Cage clamp Brass | Ni plated | |
| 4 | Screw Steel | Zinc+Cr ⁺³ | |

DECA SwitchLab Switchlab INC.

| | | | | | |
|----------|---------------|---------|------------|-----------------|----------------|
| PART NO. | MC420-381xxPZ | VERSION | A | CONFIRMED BY | <i>Wadonke</i> |
| SHEET OF | 2/2 | METRIC | MM | DRAWN BY | <i>Syng</i> |
| | | DATE | 2009/03/24 | GENERAL MANAGER | <i>Jellir</i> |