

250 FEMALE TERMINAL

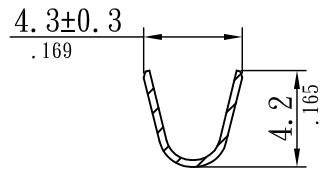
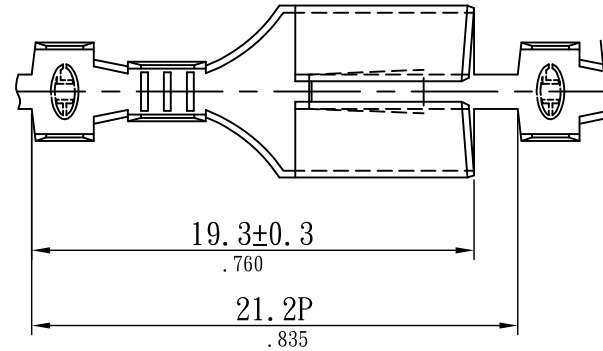
SPECIFICATIONS

Material: Brass
 Thickness: 0.3mm
 Applicable wire: AWG 20~AWG 18(0.5~0.85mm²)

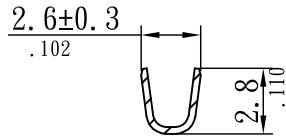
Ordering Information

R 40250 F-M8-5
 1 2 3 4

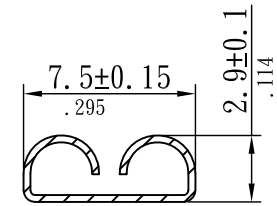
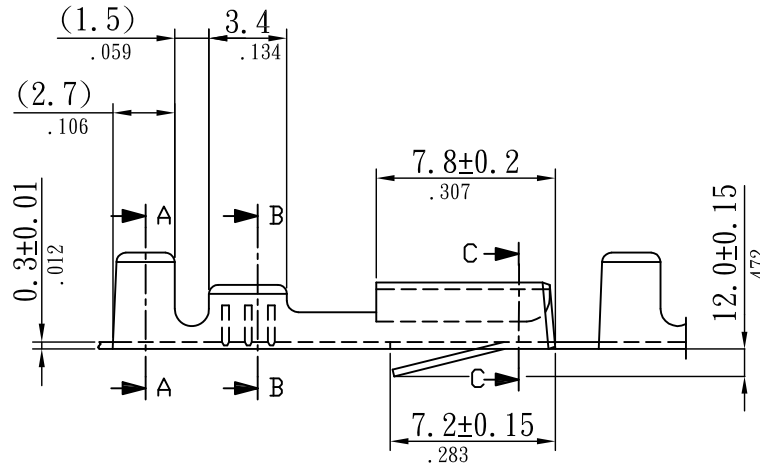
1. RoHS
2. Series No.
3. Female
4. NEMA TAB thickness



SECTION A-A



SECTION B-B



SECTION C-C

S.Y.E. Sunny Young Enterprise Co., Ltd.
 S. Y. E. <http://www.sunnyyoung.com.tw>
 13F., No. 116, Sec. 1, Xintai 5th Rd., Xizhi Dist., New Taipei City 221, Taiwan
 Tel: +886 2 2696 1668(REP) Fax: +886 2 2696 2668

T016	NAME	DATE	SCALE: NTS	REV NO	DATE	DESCRIPTION	BY	CHECKED	TOLERANCE UNLESS NOTED	
DRAWN	RALF	2021.01.28	UNIT: mm(in.)	A					LINEAR±	0-1 ±0.10(.004)
CHECKED			CAD NO	B				1-5 ±0.15(.006)		
APPROVED			R40250F-M8-5	C				5-10 ±0.20(.008)		
									PROJECTION:	10-20 ±0.25(.010)
										20-45 ±0.30(.012)
										>45 ±0.50(.020)

PART NO R40250F-M8-5

