

# 250 MALE TERMINAL

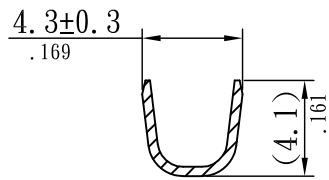
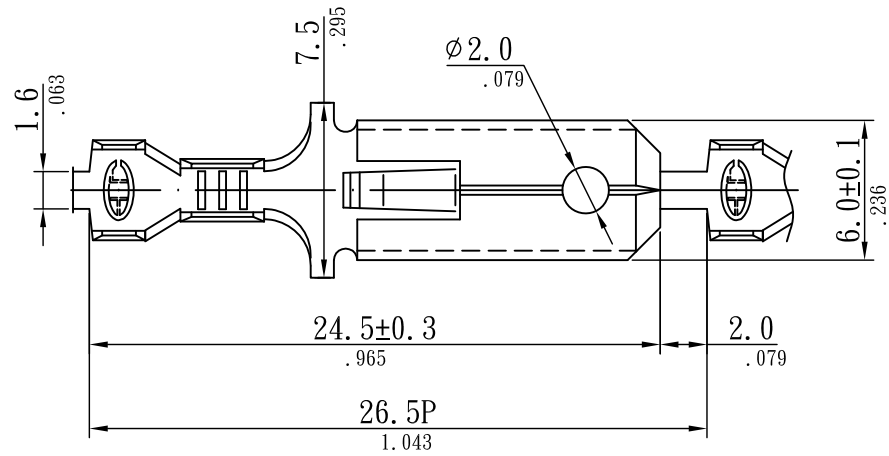
## SPECIFICATIONS

Material: Brass  
 Thickness: 0.8mm  
 Applicable wire: AWG 20~AWG 18(0.5~0.85mm<sup>2</sup>)

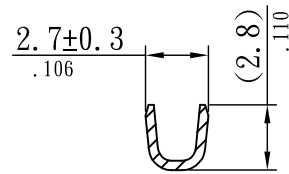
## Ordering Information

R 40250 M-M8-5  
 1 2 3 4

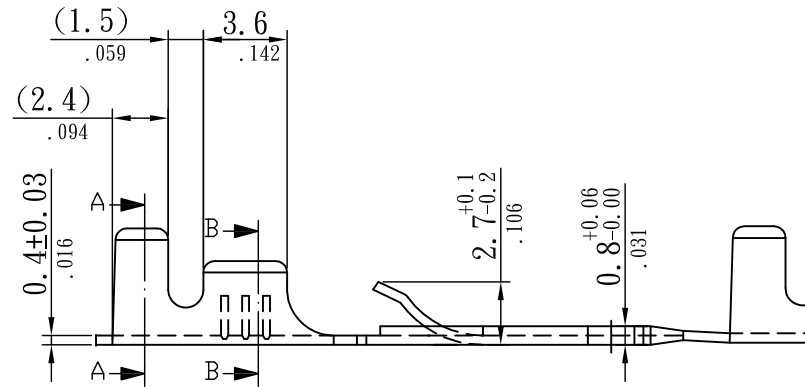
1. RoHS
2. Series No.
3. Male
4. Thickness



SECTION A-A



SECTION B-B



Sunny Young Enterprise Co., Ltd.

S. Y. E. <http://www.sunnyyoung.com.tw>

13F., No. 116, Sec. 1, Xintai 5th Rd., Xizhi Dist., New Taipei City 221, Taiwan

Tel: +886 2 2696 1668(REP) Fax: +886 2 2696 2668

T016	NAME	DATE	SCALE: NTS	REV NO	DATE	DESCRIPTION	BY	CHECKED	TOLERANCE UNLESS NOTED	
DRAWN	RALF	2021.01.28	UNIT: mm(in.)	A					LINEAR±	0-1 ±0.10(.004)
CHECKED			CAD NO	B						1-5 ±0.15(.006)
APPROVED			R40250M-M8-5	C						5-10 ±0.20(.008)
										10-20 ±0.25(.010)
										20-45 ±0.30(.012)
										>45 ±0.50(.020)
										PROJECTION:

PART NO

R40250M-M8-5

APPROVED

R40250M-M8-5

C

4