

# HEX NUT #4-40x4.95x1.90

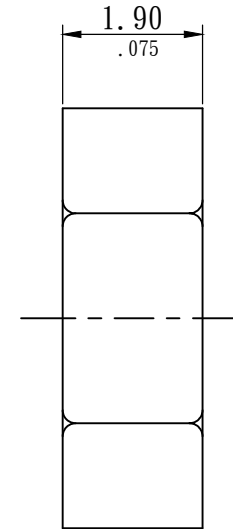
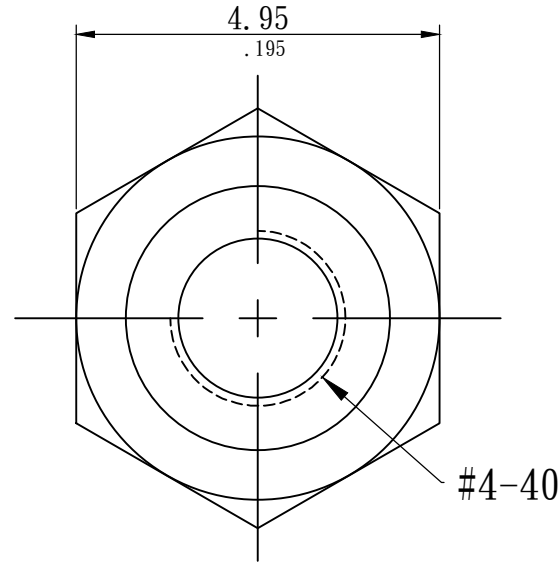
## MATERIAL

Nut: Steel  
 Plating: Nickel plated

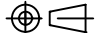
## Order information

R 7300-HC-50  
 1 2 3 4

1. RoHS
2. Series No.
3. Hex cold
4. H:4.95



 Sunny Young Enterprise Co., Ltd.  
 S. Y. E. <http://www.sunnyyoung.com.tw>  
 13F., No. 116, Sec. 1, Xintai 5th Rd., Xizhi Dist., New Taipei City 221, Taiwan  
 Tel: +886 2 2696 1668(REP) Fax: +886 2 2696 2668

S001	NAME	DATE	SCALE: 10:1	REV NO	DATE	DESCRIPTION	BY	CHECKED	TOLERANCE UNLESS NOTED	
DRAWN	RALF	2023. 11. 28	UNIT: mm(in.)	A					LINEAR±	.0 ±0.38(.015)
CHECKED			CAD NO	B						.00 ±0.25(.010)
APPROVED			R7300-HC-50	C					PROJECTION: 	

PART NO R7300-HC-50