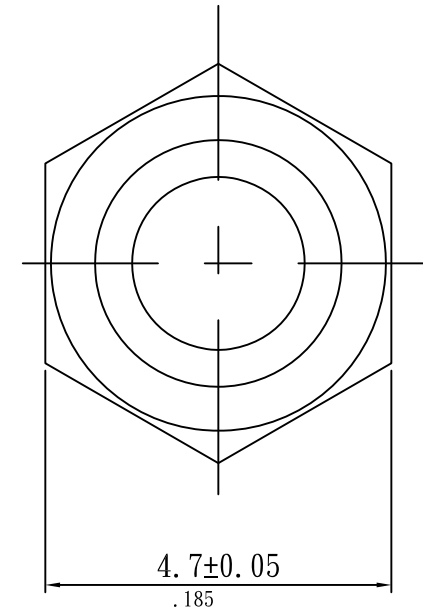
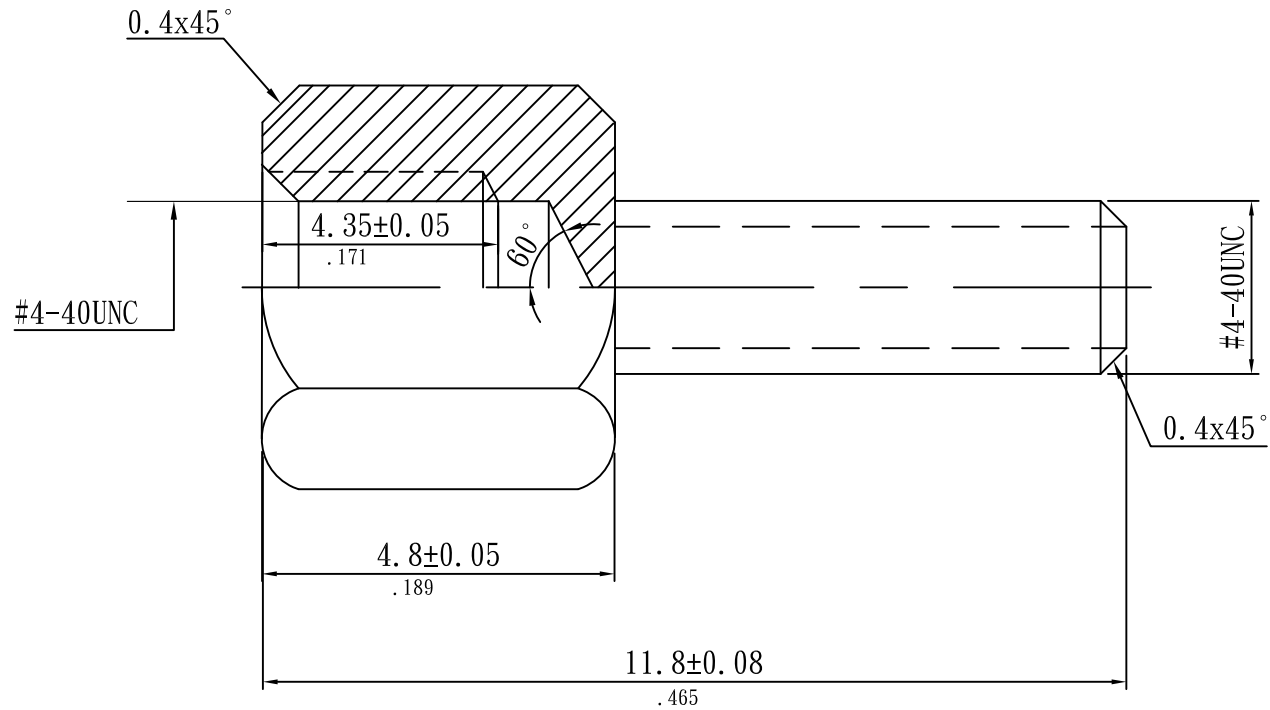


六角螺絲 H4.7 x 11.8 x #4-40UNC

SPECIFICATIONS

Material: Brass
 Plating: Nickel Plated



S.Y.E. Sunny Young Enterprise Co., Ltd.
 S. Y. E. <http://www.sunnyyoung.com.tw>
 13F., No. 116, Sec. 1, Xintai 5th Rd., Xizhi Dist., New Taipei City 221, Taiwan
 Tel: +886 2 2696 1668(REP) Fax: +886 2 2696 2668

L168	NAME	DATE	SCALE: NTS	REV NO	DATE	DESCRIPTION	BY	CHECKED	TOLERANCE UNLESS NOTED	
DRAWN	RALF	2019.04.19	UNIT: mm(in.)	A					LINEAR±	.0 ±0.30(.012)
CHECKED	EASON	2019.04.19	CAD NO	B				.00 ±0.20(.008)		
APPROVED	APPLE	2019.04.19	R7300-HS-48-118	C				.000±0.10(.004)		
PART NO	R7300-HS-48-118		APPROVED		APPLE	2019.04.19	R7300-HS-48-118	C	PROJECTION:	