

FLAT WASHER

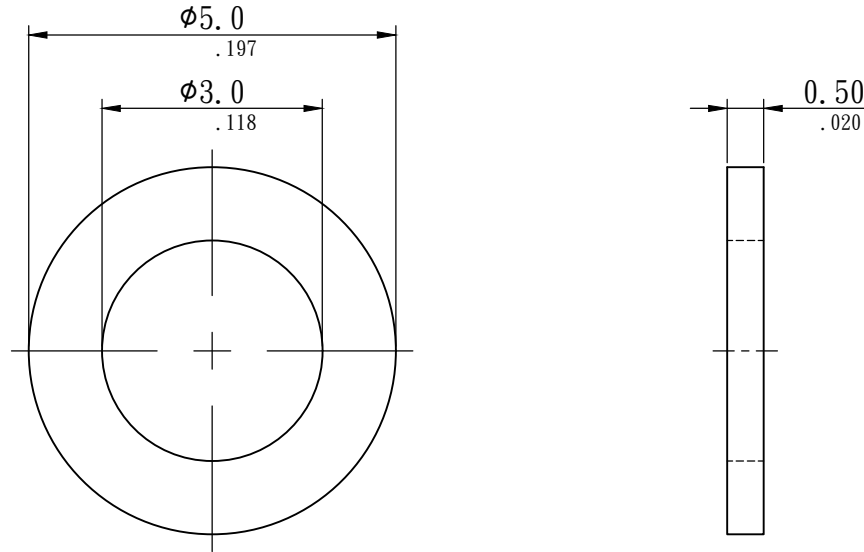
MATERIAL

Nut: Steel
 Plating: Nickel plated

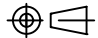
Order information

R SW-FW-030-050-005
 1 2 3 4 5 6

1. RoHS
2. Screw Series No.
3. Flat washer
4. Inner diameter
5. Outer diameter
6. Thickness



 Sunny Young Enterprise Co., Ltd.
 S. Y. E. <http://www.sunnyyoung.com.tw>
 13F., No. 116, Sec. 1, Xintai 5th Rd., Xizhi Dist., New Taipei City 221, Taiwan
 Tel: +886 2 2696 1668(REP) Fax: +886 2 2696 2668

S001	NAME	DATE	SCALE: 10:1	REV NO	DATE	DESCRIPTION	BY	CHECKED	TOLERANCE UNLESS NOTED	
DRAWN	RALF	2023. 11. 29	UNIT: mm(in.)	A					LINEAR±	.0 ±0.38(.015)
CHECKED			CAD NO	B						.00 ±0.25(.010)
APPROVED			RSW-FW-030-050-005	C					PROJECTION: 	

PART NO RSW-FW-030-050-005