

RJ11 SMT TYPE, SIDE ENTRY PCB JACK

MATERIAL

Insulator: PA9T GN2330 UL 94V-0
 Color: Black
 Contact: 0.35mm Phosphor Bronze
 Plating: Hard Gold plated and gold flash in solder area
 Hold down: 0.3mm Copper alloy
 Plating: Tin plated

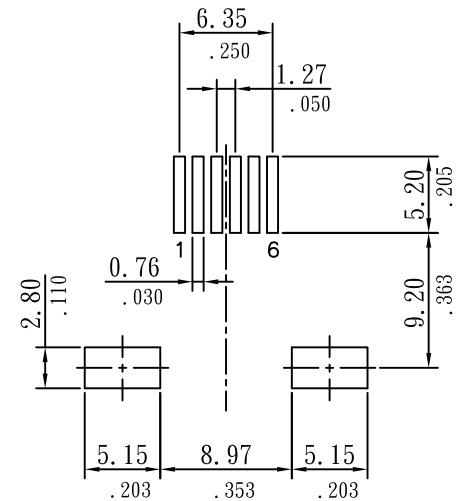
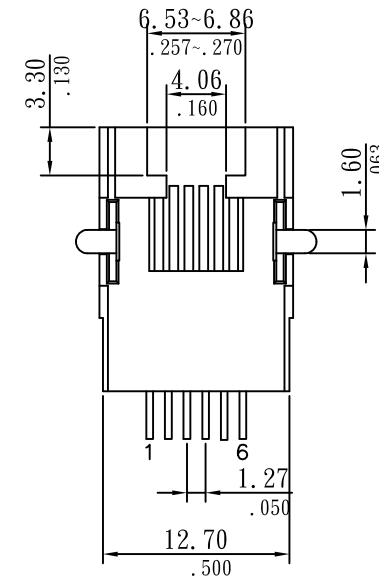
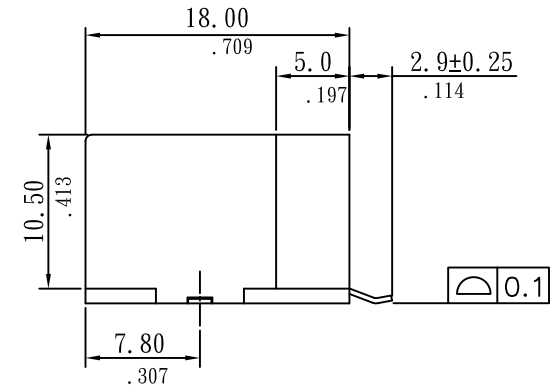
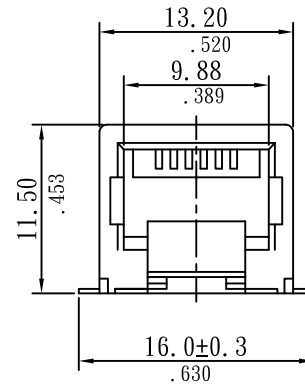
SPECIFICATIONS

Temperature range: -40°C ~ +80°C
 Current rating: 1.0A Max.
 Voltage rating: 150V AC Max.

Order Information

R TEL PCB 6P6C A 04
 1 2 3 4 5 6

1. RoHS
2. Series No.
3. PCB Type
4. Pin No.
5. A:Black
6. Type



PCB LAYOUT

Sunny Young Enterprise Co., Ltd.
 S. Y. E. <http://www.sunnyyoung.com.tw>
 13F., No. 116, Sec. 1, Xintai 5th Rd., Xizhi Dist., New Taipei City 221, Taiwan
 Tel:+886 2 2696 1668(REP) Fax:+886 2 2696 2668

PART NO	RTEL-PCB-6P6CA04	L115	NAME	DATE	SCALE: 2:1	REV NO	DATE	DESCRIPTION	BY	CHECKED	TOLERANCE UNLESS NOTED	
		DRAWN	JUDY	2018.05.16	UNIT: mm(in.)	A						
		CHECKED	DEAN	2018.05.16	CAD NO	B						
		APPROVED	APPLE	2018.05.16	RTEL-PCB-6P6CA04	C						PROJECTION: