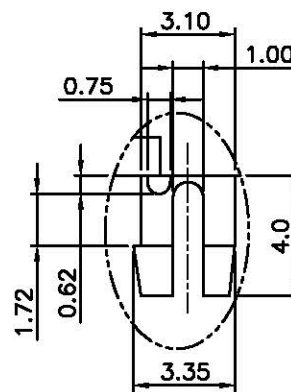
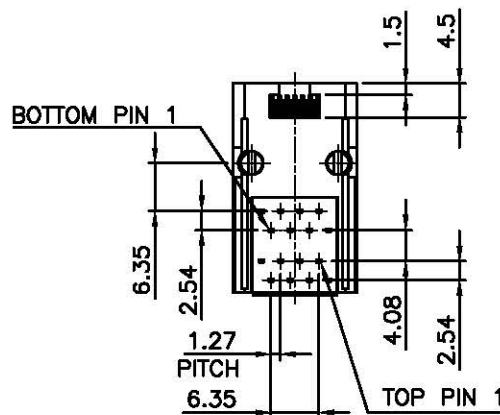
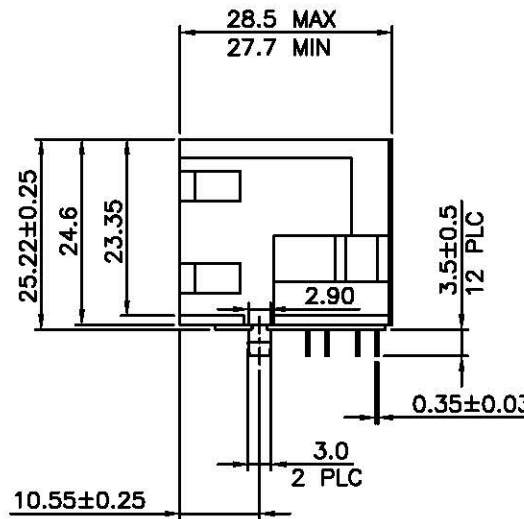
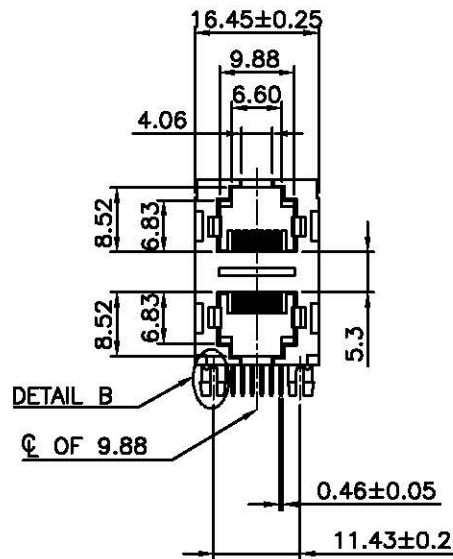


RoHS Compliance

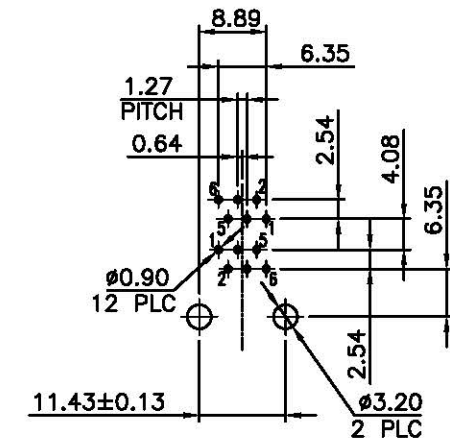
NOTE:

CAVITY CONFIRMS TO FCC RULES AND REGULATIONS PART 68, SUBPART F.

- MATERIAL:**
 HOUSING: PBT, WITH GLASS FIBER,
 UL 94V-0, STANDARD COLOR-BLACK.
 INSERT HOUSING: PBT, WITH GLASS FIBER,
 UL 94V-0, STANDARD COLOR-BLACK.
 COVER: PBT, WITH GLASS FIBER,
 UL 94V-0, STANDARD COLOR-BLACK.
 CONTACTS: PHOSPHOR BRONZE.
- FINISH:**
 CONTACTS: 0.152 μ m [6 μ] GOLD PLATED ON CONTACT AREA,
 GOLD PLATED ON SOLDER TAIL,
 WITH ENTIRE CONTACT UNDERPLATED
 1.27 μ m [50 μ] MIN. NICKEL



DETAIL B
SCALE 4:1



RECOMMENDED PCB LAYOUT
RECOMMENDED PCB THICKNESS: 1.6mm
TOLERANCE: ±0.05 (TOP VIEW)

THIS DRAWING IS A CONTROLLED DOCUMENT. DO NOT SCALE DRAWING.				SUNNY YOUNG ENTERPRISE CO., LTD.		
DIMENSIONS: MM		TOLERANCES UNLESS OTHERWISE SPECIFIED:		TITLE		
		X ± - X.X ± 0.25 X.XX ± 0.13 X.XXX ± 0.05 ANGLES ± -		2X1 (2PORTS), 6POSITION, RIGHT ANGLE PCB JACK		
THIRD ANGLE PROJECTION		MATERIAL		FINISH		
SEE NOTES		SEE NOTES		SEE NOTES		
DWN		DATE		SIZE		
A.LI		NOV-13-2017		A4		
CHK		DATE		DRAWING NO		
A.HUANG		NOV-13-2017		RTEL-PCB-6P6CAD01		
APVD		DATE		WEIGHT		
M.CHANG		NOV-14-2017		- GRAMS Ref.		
REVISIONS				REV 2		SHEET 1