

STARWELL	深圳市星维科技有限公司 Shenzhen Starwell Technology CO., LTD.		REVISION (版本)	A/0
			DATE (日期)	2019-03-22
PART NUMBER (样单编号)	SW-01050200-S04US	CUSTOMER MODEL (客户型号)		

APPROVAL SHEET

(承认书)

FOR

AC/DC ADAPTER

(适配器)

MODEL NO.

(型号)

[SW-01050200-S04US](#)

MANUFACTURER (制造商)			
EDIT (制订)	CONFIRM (确认)	CHECK (审核)	APPROVAL (批准)
刘明英			

CUSTOMER APPROVAL (客户承认)		
签收:	印章:	日期:

- ◆ **Address:** 501 6th building huamei road 8th songgang street baoan district shenzhen
China 518105
- ◆ **Tel:** (86-755) 29634321

STARWELL	深圳市星维科技有限公司		REVISION (版本)	A/0
	Shenzhen Starwell Technology CO., LTD.		DATE (日期)	2019-03-22
PART NUMBER (样单编号)	SW-01050200- S04US	CUSTOMER MODEL (客户型号)		

CONTENTS

目 录

1.	<u>General Description(概述)</u>	4
2.	<u>Environment Protection Laws (环保法规)</u>	4
3.	<u>According with Safety and EMC Criterion (符合的安全及电磁兼容标准)</u>	4
4.	<u>Safety and EMC Approval (已认可的安全 及电磁兼容标准)</u>	4
5.	<u>Test Circuit (测试电路)</u>	4
6.	<u>Input Characteristics (输入特性)</u>	5
7.	<u>Output Characteristics (输出特性)</u>	6
8.	<u>Reliability Items (可靠性项目)</u>	7
9.	<u>Mechanical Requirement (机械要求)</u>	7
10.	<u>Environmental Performances(环境性能)</u>	8
11.	<u>Product Outline Drawing (制品结构尺寸图)</u>	9
12.	<u>Ratin Label Drawing (标贴纸图)</u>	10
13.	<u>Packing vector diagram (包装矢量图)</u>	10

STARWELL	深圳市星维科技有限公司 Shenzhen Starwell Technology CO., LTD.		REVISION (版本)	A/0
			DATE (日期)	2019-03-22
PART NUMBER (样单编号)	SW-01050200-S04US	CUSTOMER MODEL (客户型号)		

1. General Description(概述)

This specification defines the input, output, performance characteristics, and environment, noise and safety requirements for **10Watts** adaptor. (The environment temperature is 25°C or aging test after 15 minutes).

(本规格详细说明了 **10W** 的适配器输入、输出特性、环境、噪音和安全要求。(环境温度为 25 度或老化 15 分钟后进行测试)

2. Environment Protection Laws (环保法规)

ROHS REACH CPSIA EN71 PHTHALATE HALOGEN

3. According with Safety and EMC Criterion (符合的安全及电磁兼容标准)

EN62368-1 EN61558-1 EN60065-1 EN55032
UL62368-1 UL1310 UL60065-1 EN55024
GB4943.1 GB9254 GB17625.1 FCC Part15
J60065 J55013

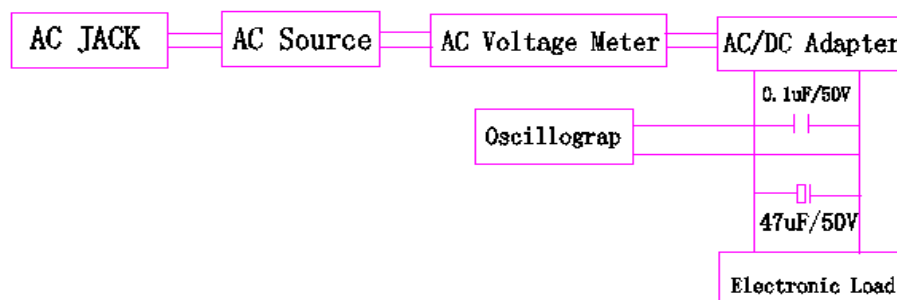
4. Safety and EMC Approval (已认可的安全 及电磁兼容标准)

CB TUV/GS CE PSE UL FCC
SAA C-tick KC CCC J TLC E-mark

5. Test Circuit (测试电路)

If the test is to be made on a specified circuit, be sure to use the following circuit.

(无特殊规定的情况下依照下面的电路进行测试.)



STARWELL	深圳市星维科技有限公司		REVISION (版本)	A/0
	Shenzhen Starwell Technology CO., LTD.		DATE (日期)	2019-03-22
PART NUMBER (样单编号)	SW-01050200- S04US	CUSTOMER MODEL (客户型号)		

6. Input Characteristics (输入特性)

6.1 Rated Input Voltage (额定输入电压)

Rated input voltage is from **100Vac** to **240Vac**.

(额定输入交流电压 **100V~240V**)

6.2 Rated Frequency (输入频率)

It is normal for **50Hz** or **60Hz** and single phase.

(输入频率 **50Hz/60Hz**)

6.3 Steady AC Current (AC 输入电流)

The maximum input current shall be less than **0.32A** at 100~240Vac input

(在额定输入电压 **100V~240V** 时输入电流小于 **0.32A**)

6.4 Inrush Current (峰值输入电流)

With cold starting, input AC 240V the inrush current should **30A Max**

(电源启动时最大峰值输入电流小于 **30A**)

6.5 Standby (待机功耗)

The input power shall be less than **0.1W** at **110 or 230Vac** input.

(在输入电压 **110V 或 230V** 时待机功耗小于 **0.1W**)

6.6 Efficiency (效率)

Measured at 115Vac or 230Vac input voltage, Average efficiency can reach energy star VI (**78.70%**) standard

(在输入电压 115Vac 或 230Vac, 平均效率可达到能效六级(**78.70%**)标准)

STARWELL	深圳市星维科技有限公司		REVISION (版本)	A/0
	Shenzhen Starwell Technology CO., LTD.		DATE (日期)	2019-03-22
PART NUMBER (样单编号)	SW-01050200-S04US	CUSTOMER MODEL (客户型号)		

7. Output Characteristics (输出特性)

7.1 Rated Output Voltage (额定输出电压)

No load voltage (空载输出电压范围): **5V ±6%**

Full load voltage (满载输出电压范围): **5V ± 6%(I=2A)**

7.2 Rated Power (额定功率)

This adaptor is capable to support **10Watts** continuously at all specified conditions.

(额定功率为 **10Watts**)

7.3 Ripple and Noise (纹波和噪音)

Ripple voltage is **200mV** p-p (Full load **2A**) measured methods: Performed by 20MHz bandwidth in oscilloscope Applied 0.1uF ceramic capacitor and 47uF electrolytic capacitor across output connector terminals Measured at the end of DC cable. The environment temperature is 25°C or aging test after 15 minutes.

(输出端并 0.1uF 与 47uF 电容, 限制示波器带宽 20MHz 时, 测得纹波小于 **200mV** p-p, 环境温度 25 度或老化 15 分钟后进行测试)

7.4 Protection (保护)

7.4.1 Over Current Protection (过流保护)

OCP Point Limited: **105%~200%** of Max. Load. The output shall hiccup when the over current applied to the output, and shall be self-recovery when the fault condition is removed

过电流点为最大负载的 **1.05~2.0** 倍, 输出将进入打嗝模式, 当过电流情况解除后, 产品将会自动恢复正常。

7.4.2 Short Circuit Protection (短路保护)

The input power shall decrease when the output short, the power supply shall no damage, and shall be self-recovery when the fault condition is removed.

(当输出短路时, 产品输入功率降低且不会损伤, 当短路情况解除后, 产品将会自动恢复正常。)

STARWELL	深圳市星维科技有限公司		REVISION (版本)	A/0
	Shenzhen Starwell Technology CO., LTD.		DATE (日期)	2019-03-22
PART NUMBER (样单编号)	SW-01050200-S04US	CUSTOMER MODEL (客户型号)		

8. Reliability Items (可靠性项目)

8.1 Electrostatic discharge (静电)

At 150pF: 330Ω, for each point, 10 shots of direct discharge or air discharge (1 MΩ/ SHOT), have no malfunction. Direct discharge: **±4kV**, Air discharge: **±8kV**
(在接触放电**±4kV**和空气中放电**±8kV**模式下,各处分别放电 10 次无误动作)

8.2 Hi-Pot Test (高压测试)

Primary to Secondary: **3000Vac / 10mA**Max / 60S (when safety testing)

初级对次级: **3000Vac / 10mA**Max / 60 秒 (安规试验)

Primary to Secondary: **3300Vac / 5mA**Max / 3S (when production)

初级对次级: **3300Vac / 5mA**Max / 3S(生产作业)

8.3 Insulation Resistance (绝缘电阻)

100MΩ min. between primary to secondary add 500Vdc test voltage.

在初级与次级间加 **500Vdc** 进行测试, 最小 **100MΩ**。

8.4 Leakage Current (泄漏电流)

0.25mA maximum, at nominal AC input voltage and frequency

(输入时泄漏电流不得 **0.25mA** max)

8.5 Burn-In Test (老化测试)

4 hours at **40°C** maximum, Normal input voltage, rated load.

(在高温 **40°C** 工作四小时情况下, 输入电压和额定负载正常。)

9. Mechanical Requirement (机械要求)

9.1 Weight (重量)

35g ± 10g

9.2 Input plug type (输入插头类型)

Wall-mounted type. **US-pin**. 2 Conductors, < Live. Neutral > (美规 AC 输入 2PIN 插头)

9.3 Drop Test (跌落试验)

Drop the adaptor from a height of **100cm** onto a hardwood floor, hitting the adaptor for **6** times, no mechanical damages or other failures, no electrical deterioration and other failures comparing to before test condition.

STARWELL	深圳市星维科技有限公司		REVISION (版本)	A/0
	Shenzhen Starwell Technology CO., LTD.		DATE (日期)	2019-03-22
PART NUMBER (样单编号)	SW-01050200-S04US	CUSTOMER MODEL (客户型号)		

(制品从 100cm 处落下 6 次，落下的方向任意，落在硬木地板上，实验后与实验前状态比较没有机械破损等不良状况,且不出现电器性能损坏)

10. Environmental Performances(环境性能)

10.1 Operating temperature range (工作温度范围)

The product should operate at 0~40°C, test of operating for 4 hours at 0°C ±2°C and 40°C ±2°C.

(该产品工作温度范围为 0~40°C,低温 0°C ±2°C 和高温 40°C ±2°C 工作试验各 4 小时)

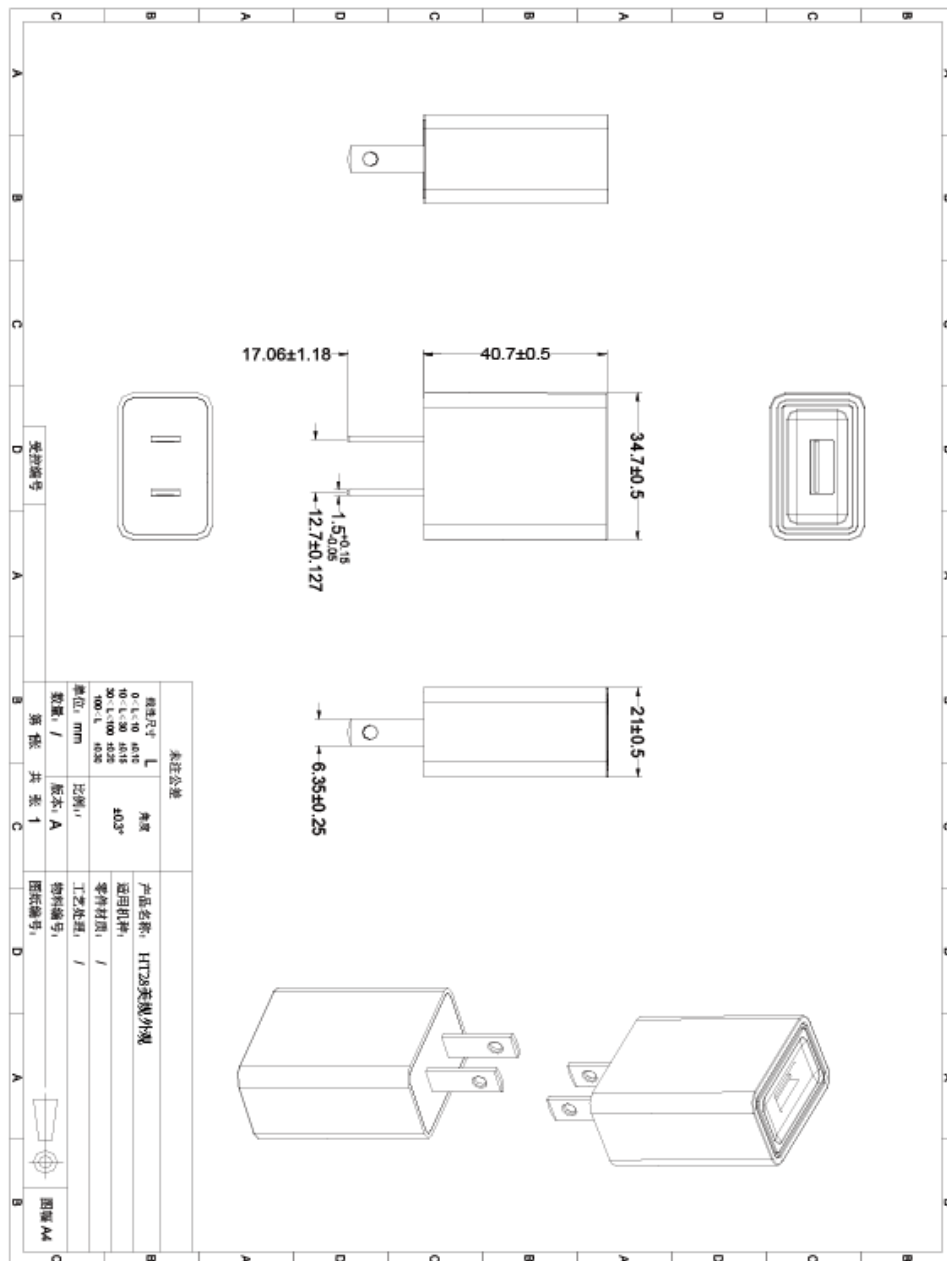
10.2 Storage temperature range(存储温度范围)

The product should be stored at -25~70°C, test of non-operated for 16 hours at -25°C ±2°C and 70°C ±2°C.

(该产品存储温度范围为-25~70°C, 非工作状态下进行低温-25°C ±2°C 和高温 70°C ±2°C 存储试验各 16 小时)

STARWELL	深圳市星维科技有限公司 Shenzhen Starwell Technology CO., LTD.		REVISION (版本)	A/0
			DATE (日期)	2019-03-22
PART NUMBER (样单编号)	SW-01050200-S04US	CUSTOMER MODEL (客户型号)		

11. Product Outline Drawing (制品结构尺寸图)

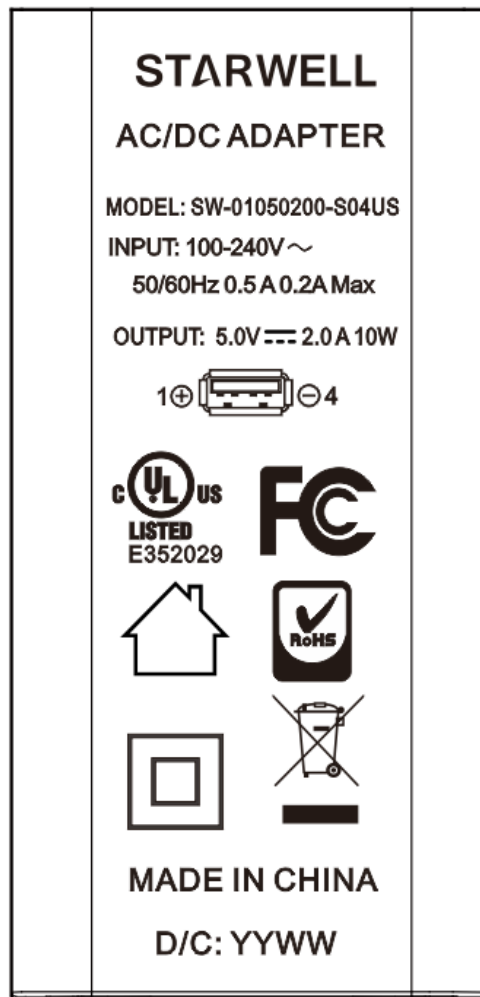


Dimension (尺寸): 如上图

Color(颜色): 黑色 (black)

STARWELL	深圳市星维科技有限公司		REVISION (版本)	A/0
	Shenzhen Starwell Technology CO., LTD.		DATE (日期)	2019-03-22
PART NUMBER (样单编号)	SW-01050200-S04US	CUSTOMER MODEL (客户型号)		

12. Ratin Label Drawing (标贴纸图)



注：“D/C:1920” 19 代表生产年份，
20 代表生产周期，按生产周期更新。

标贴：镭雕

13. Packaging vector diagram (包装矢量图)

1. Customer requirements customer requirements by packaging/客户有要求的按客户要求包装。
2. Customer requirements according to our request package/客户无要求按我司要求包装。