

N = Number of poles  
 Dim L = N x 5.0  
 Dim P = (N-1) x 5.0

Poles	Dim L	Dim P
2-6p	±0.15	±0.10
7-12p	±0.20	±0.20
13-18p	±0.30	±0.25
19-24p	±0.40	±0.30

SIGN	DATE	DESCRIPTION	APPROVER
△	02.08'06	Standard spec is changed.	Marivn
△	12.01'09	Wire range changed from 1.0-2.5mm <sup>2</sup> to 0.5-2.5mm <sup>2</sup>	Kind
△	12.01'09	Operating Tem. changed from -30°~105° to -40°~115°	Kind
△	05/18`10	Solid wire changed from 14-22 to 14-26	Tason
△	05/18`10	Stranded wire changed from 14-22 to 14-26	Tason
△	05/18`10	Torque changed from 2.6Lb-In/0.6Nm to 2.6Lb-In/0.5Nm	Tason
△	11/22`10	The dimensional is changed from 0.95mm to 1.00mm	Tason
△	11/28`13	Update the drawing	Guoxue

*THIS IS CAD DRAWING, DO NOT REVISE MANUALLY!!!*

**Material**

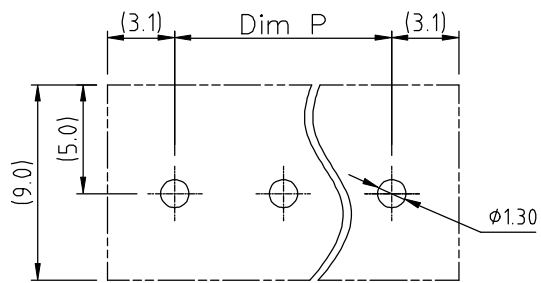
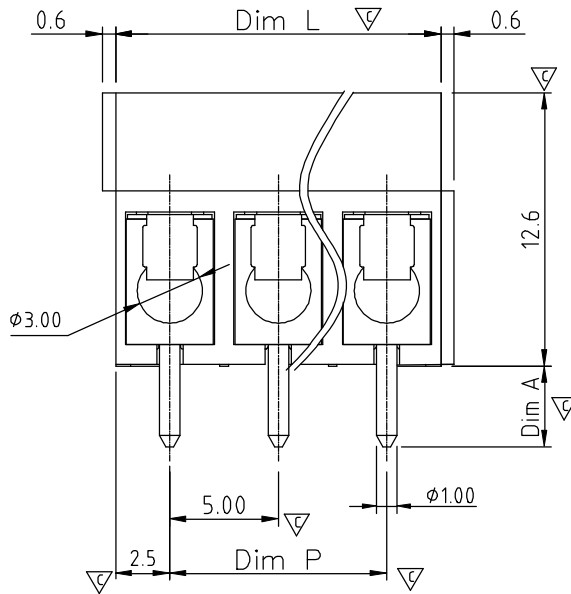
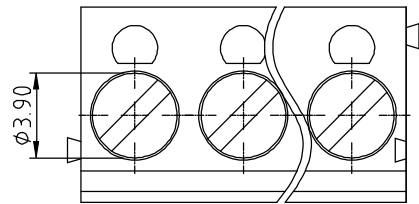
- (a) Terminal body : Brass(CuZn) , Tin plated
- (b) Terminal screw: Steel Zinc plating "-" slot type
- (c) Wire guard: Stainless steel
- (d) Terminal housing: Thermoplastic (UL94V-0)

- △△ Electrical UL/CSA/VDE
  - Voltage rating: 250VAC/250VAC/250VAC
  - Current rating: 16A/16A/16A
  - △ ● Wire range: 0.5-2.5mm<sup>2</sup>
  - △ ● Solid wire(AWG): 14-26/14-22
  - △ ● Stranded wire(AWG): 14-26/14-22
  - △ ● Torque: 2.6Lb-In/3.5kgf.cm/0.5Nm
  - Screw: M3
  - Wire strip length: 6-7mm
  - Withstanding Voltage: 1.5KV/1.5KV/2KV
  - △ ● Operating temperature: -40°C to +115°C
  - △ ● Soldering temperature: 260°C±5°C/5 Sec
  - △ ● SAFETY APPROVAL DETA:
  - Critical dimension: ▽

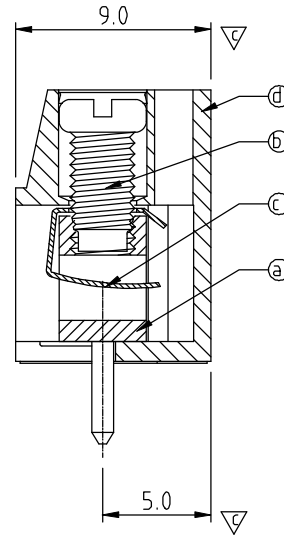
**TA xx 00 x x xxxx G**

02 2 POLES	Color	Dim A	RoHS compliant (lead<4%) In copper Alloy
03 3 POLES	0 Black (RAL9005)	0 4.4mm	0000 Standard @ Logo
...	2 Red (RAL3001/D)	1 3.8mm	000A Standard ANY Logo
24 24 POLES	3 Orange(RAL2011/P)	2 3.5mm	Any special item by customer request, please contact sales department.
	4 Yellow(RAL1018/A)		
	5 Green(RAL6018/T)		
	6 Blue (RAL5015/A)		
	8 Grey(RAL7035/D)		
	C Green(RAL6018/U)		

<b>ANYTEK</b>		<b>CUSTOMER COPY</b>	
ALL RIGHTS RESERVED. REPRODUCTION OR ISSUE TO THIRD PARTIES IN ANY FORM WHATSOEVER IS NOT PERMITTED WITHOUT WRITTEN AUTHORITY FROM THE PROPRIETOR. PROPERTY OF ANYTEK TECHNOLOGY CO., LTD			
TITLE	TA - 5.0mm series "+/-"		
PART NO.	TAXx00xxxxxxG	DWG NO.	8TA0001
APPROVED	CHECKED	DESIGNED	DRAWN
		Guoxue 2013.12.03	Guoxue 2013.12.03
SHEET: 01/01		Tolerance	
		UNIT: mm	X. ±0.50
		SCALE: NONE	X.X ±0.30
		REV.: G	X.XX ±0.10
			X° ±1°



RECOMMENDED PCB LAYOUT  
TOP VIEW



N = Number of poles  
 Dim L = N x 5.0  
 Dim P = (N - 1) x 5.0

	Dim L	Dim P
2-6p	±0.15	±0.10
7-12p	±0.20	±0.20
13-18p	±0.30	±0.25
19-24p	±0.40	±0.30

SIGN	DATE	DESCRIPTION	APPROVER
△	12.01'09	Wire range changed from 1.0-2.5mm <sup>2</sup> to 0.5-2.5mm <sup>2</sup>	Kind
△	12.01'09	Operating Tem. changed from -30°~105° to -40°~115°	Kind
△	05/18'10	Solid wire changed from 14-22 to 14-26	Tason
△	05/18'10	Stranded wire changed from 14-22 to 14-26	Tason
△	05/18'10	Torque changed from 2.6Lb-In/0.6Nm to 2.6Lb-In/0.5Nm	Tason
△	02/21'13	update the drawing	Guoxue
△	02/21'13	update the drawing	Guoxue
△	11/28'13	update the drawing	Guoxue

THIS IS CAD DRAWING, DO NOT REVISE MANUALLY!!!

Material

- (a) Terminal body : Brass(CuZn) , Tin plated
- (b) Terminal screw: Steel Zinc plating "-" slot type
- (c) Wire guard: Stainless steel
- (d) Terminal housing: Thermoplastic (UL94V-0)

△ Electrical UL/CSA/VDE

- Voltage rating: 250VAC/250VAC/250VAC
- Current rating: 16A/16A/16A
- △ ● Wire range: 0.5-2.5mm<sup>2</sup>
- Solid wire(AWG): 14-26/14-22
- △ ● Stranded wire(AWG): 14-26/14-22
- △ ● Torque: 2.6Lb-In/3.5kgf.cm/0.5Nm
- Screw: M3

- Wire strip length: 6-7mm
- Withstanding Voltage: 1.5KV/1.5KV/2KV
- △ ● Operating temperature: -40°C to +115°C
- △ ● Soldering temperature: 260°C±5°C/5 Sec

- △ ● SAFETY APPROVAL DATA: G RoHS compliant (lead<4%) In copper Alloy
- Critical dimension: ▽

△△ TA xx 01 x x xxxx G

02 2 POLES	0 Black (RAL9005)	Dim A 0 4.4mm	0000 Standard @ Logo
03 3 POLES	2 Red (RAL3001/D)	1 3.8mm	000A Standard ANY Logo
...	3 Orange(RAL2011/P)	2 3.5mm	Any special item by
24 24 POLES	4 Yellow(RAL1018/A)		customer request,
	5 Green(RAL6018/T)		please contact sales
	6 Blue (RAL5015/A)		department.
	8 Grey(RAL7035/D)		
	C Green(RAL6018/U)		

<b>ANYTEK</b>		<b>CUSTOMER COPY</b>		
				ALL RIGHTS RESERVED. REPRODUCTION OR ISSUE TO THIRD PARTIES IN ANY FORM WHATSOEVER IS NOT PERMITTED WITHOUT WRITTEN AUTHORITY FROM THE PROPRIETOR. PROPERTY OF ANYTEK TECHNOLOGY CO., LTD
TITLE	TA - 5.0mm series "-"			
PART NO.	TAXX01xxxxxxG	DWG NO.	8TA0011	
APPROVED	CHECKED	DESIGNED	DRAWN	CUST NO.
		Guoxue 2013.12.03	Guoxue 2013.12.03	
				Tolerance X. ±0.50 X.X ±0.30 X.XX ±0.10 X° ±1°
SHEET: 01/01		UNIT: mm	SCALE: NONE	REV.: F