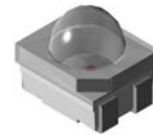


PLCC Dome Package SMD LED

VR 73E08

Description

The constructive of this series of LED are different from the PCB type SMD LED. The lead-frame is of metal, reflector is made of thermoplastic and construct into this unique type of SMT LED. The wavelengths and luminous intensities of this series are grouped under 30mA for uniformity. The dice used in this series is InGaN technology are low power consumption and obtaining high luminous intensity.




Applications

- Dashboards and switch
- Backlight keypads
- Industrial control systems signal indicator
- Automotive features
- Industrial panel



Electronic Optical Characteristics (at 30mA):

Part Number	Emitted Color	λ (nm)		Lens Color	Iv(mcd)		View Angle	VF(V)	
		λ d	λ p		Min.	Typ.		Min.	Max.
VR 73E08	True-green 	525	518	Milky	4500	7600	30	2.6	3.8

Absolute Maximum Ratings (at Ta=25°C)

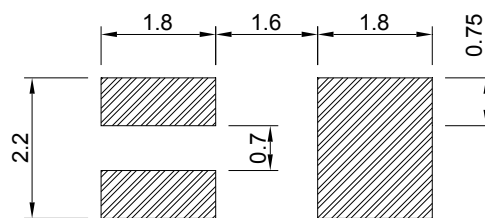
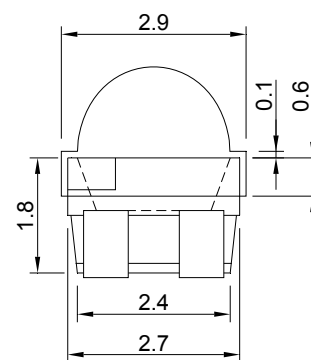
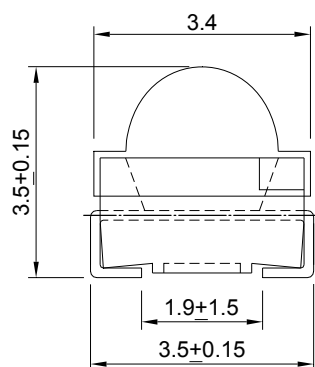
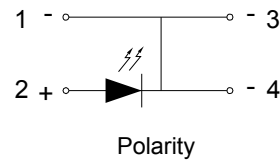
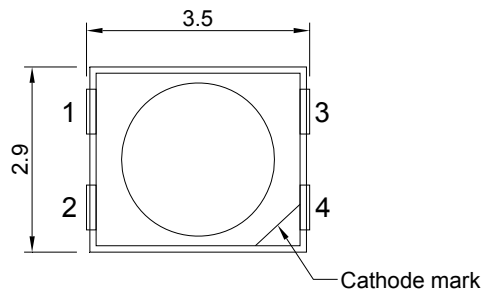
P _D (mW)	I _{FP} (mA)	I _F (mA)	Iron Solder (°C)	I _R (μ A)@V _R =5V	Topr(°C)	Tstg(°C)
95	100*	25	350 \pm 5 for 3 sec.	50	-40~+85	-40~+100

Note: Please take note the Absolute Maximum Rating values. Any operation beyond the specify ratings in this table will result degradation of LED life-span and may cause LED to fail.

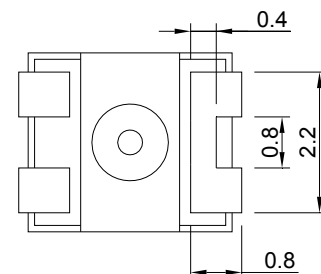
* I_{FP}: Peak Forward Current under 1/10 duty, 1KHz condition

Package Dimension:

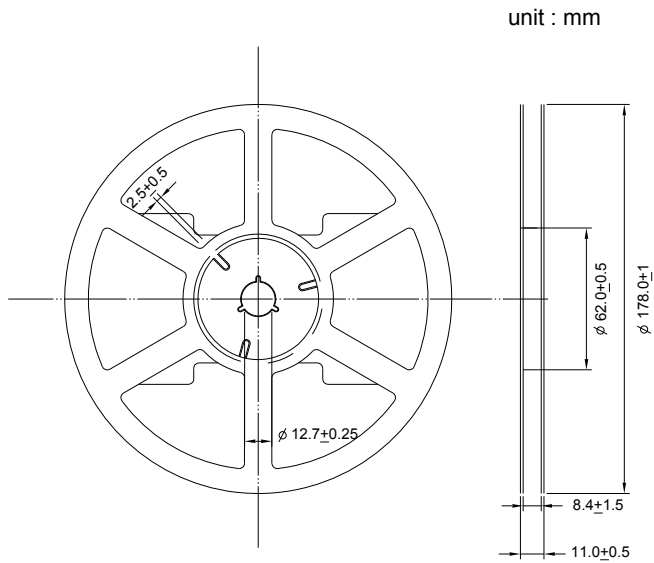
unit:mm



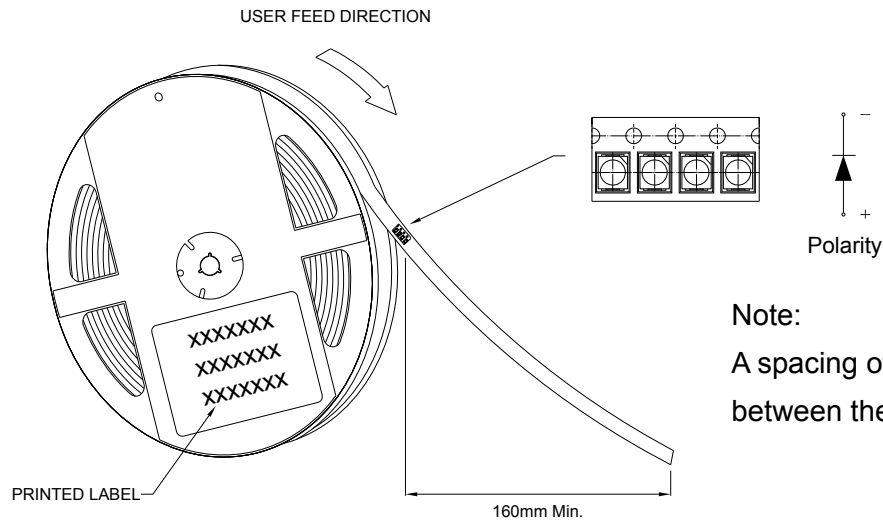
Recommended Soldering Pad


Notes:

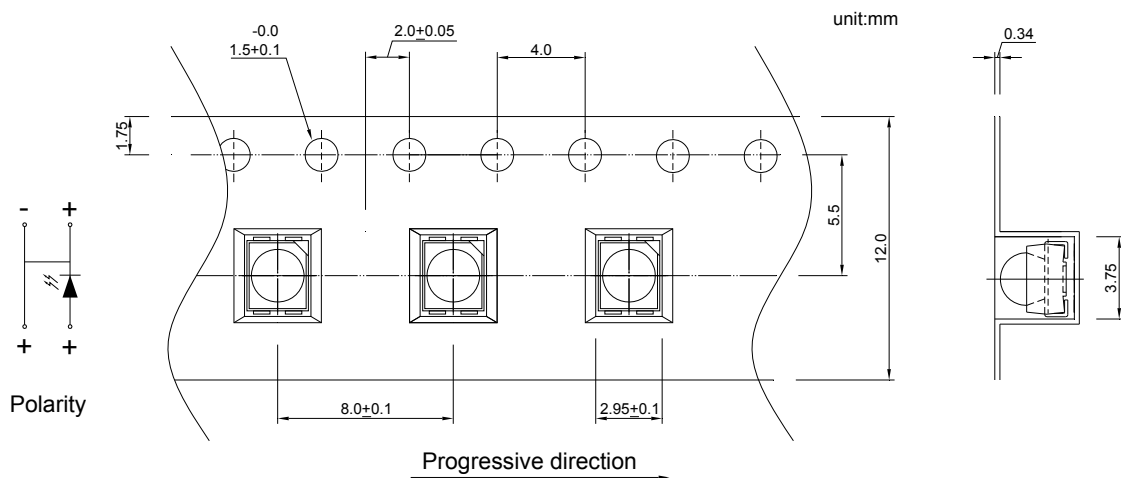
1. All dimensions are millimeters.
2. Tolerance is $\pm 0.2\text{mm}$ unless otherwise specified.
3. Specifications are subject to change without notice.

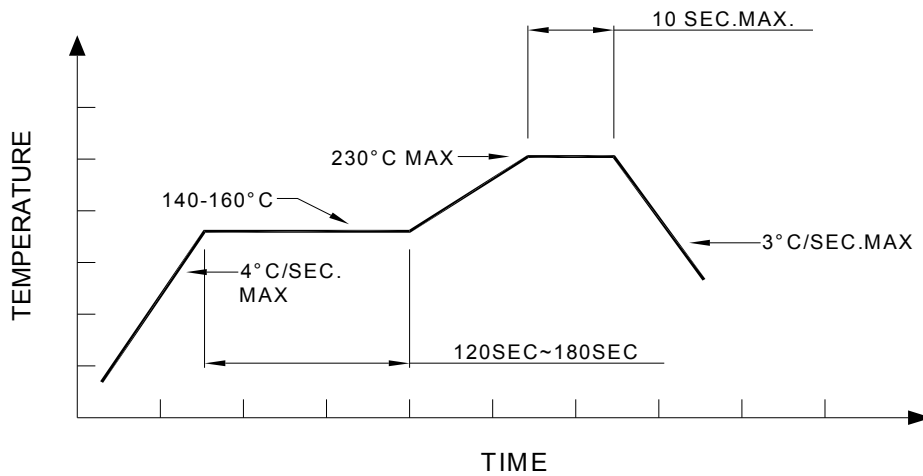
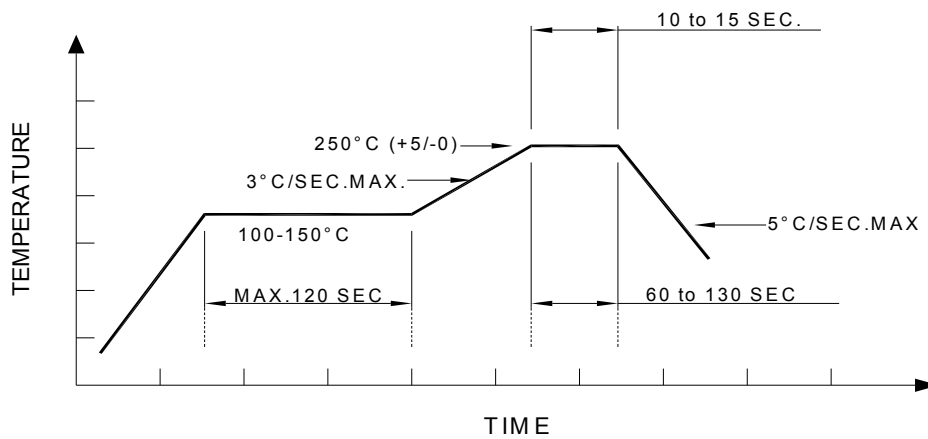
Reel Dimension:

Note:

Available in 8mm carrier tape on 178mm diameter reels. (500 pieces)


Note:

A spacing of approximately 160mm between the front edge of tape

Tape Dimension:


Recommended re-flow soldering profile:

Recommended Pb-free re-flow soldering profile:

Specification for bin grade @ 30 mA

Iv(mcd)			λ d(nm)		
Code	Min.	Max.	Code	Min	Max
DA	4500	5600	X	520	525
DB	5600	7100	Y	525	530
EA	7100	9000	Z	530	535
EB	9000	11200	--	--	--