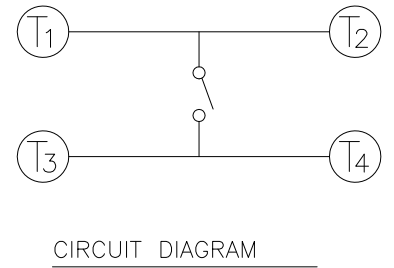
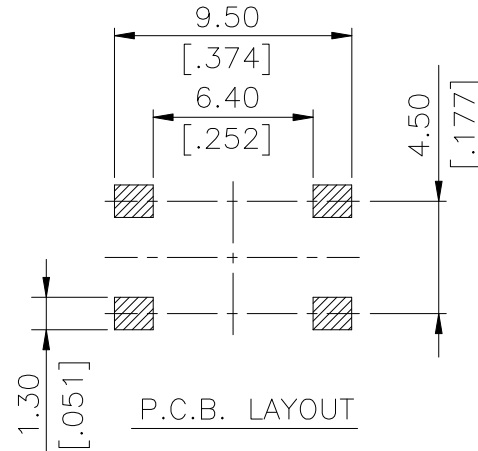
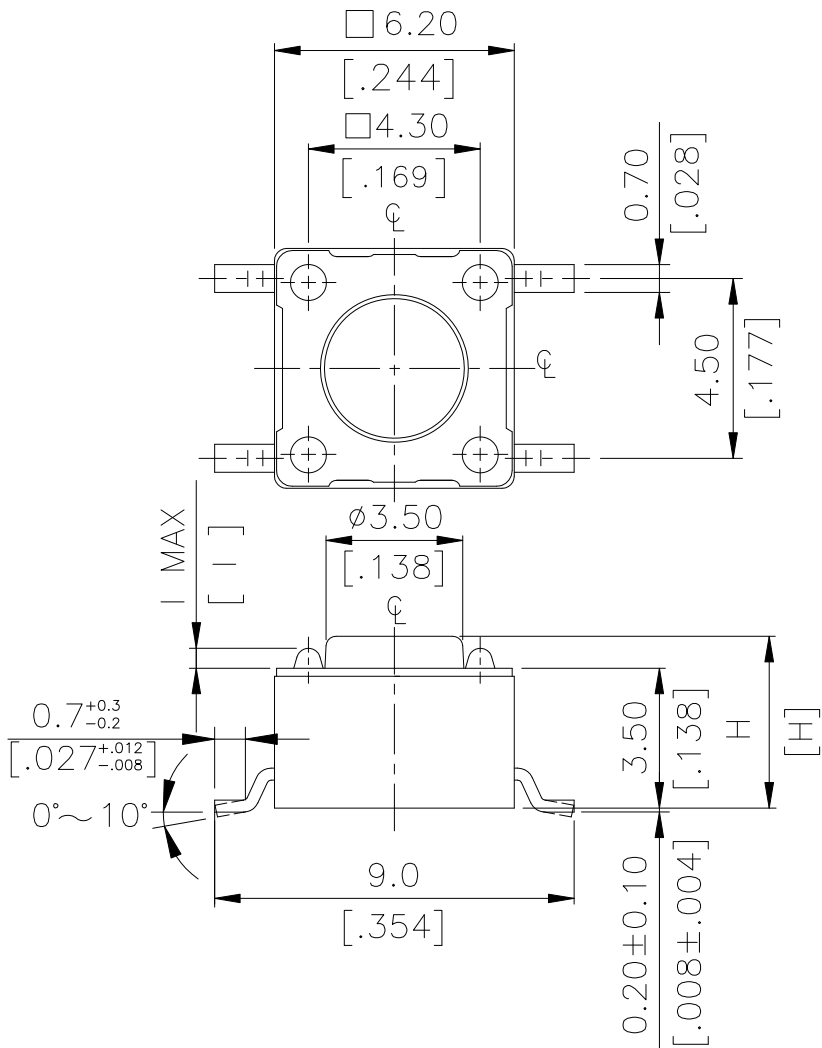


DTSM(G)-6(2) SERIES



DIMENSIONS

DTSM-6

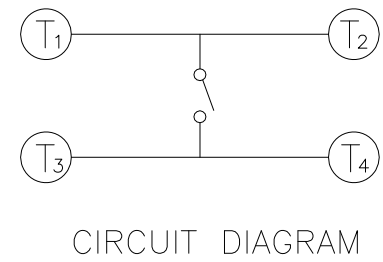
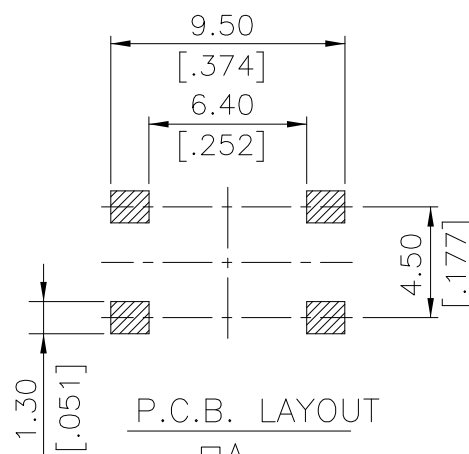
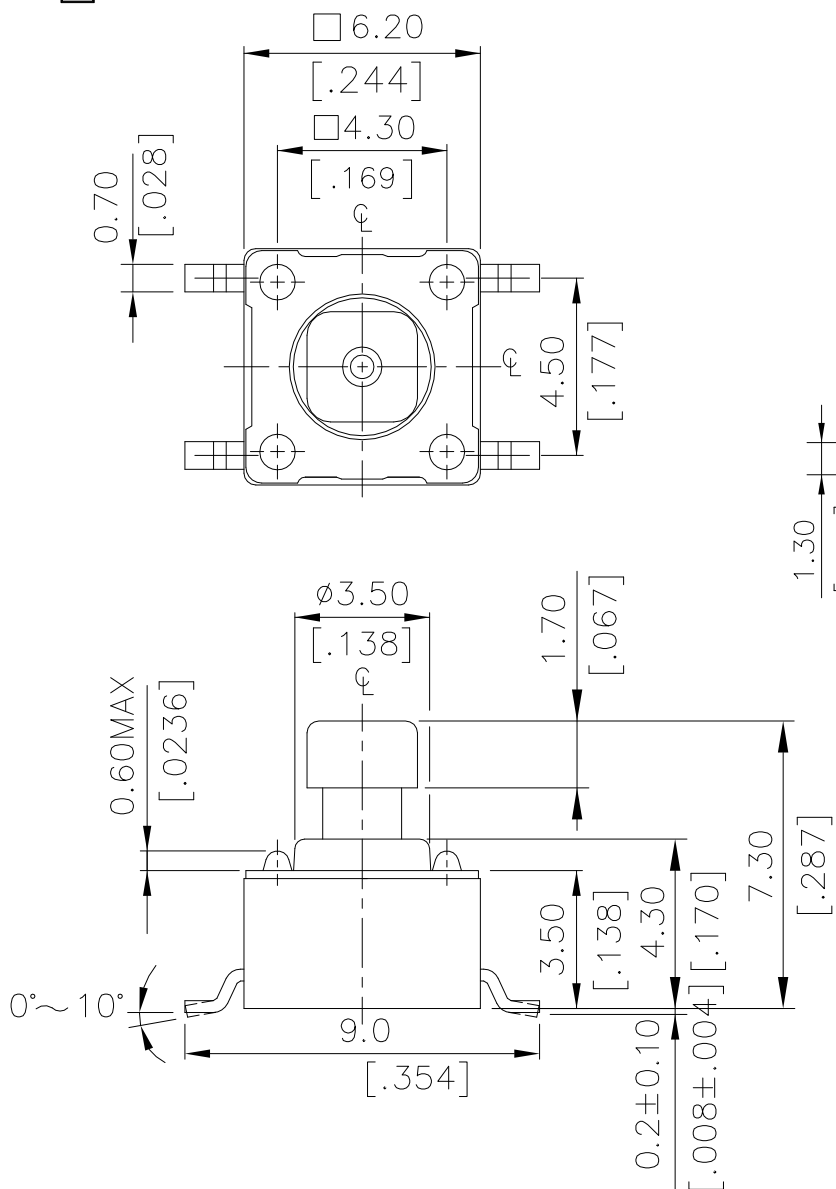


DTSM-62~66□-V	0.6 MAX	.0236MAX
DTSM-61□-V	0.5 MAX	.0197MAX
PROD. NO.	I	INCHES.

DTSM-66 □ -V	13.0	[.512]
DTSM-65 □ -V	9.5	[.374]
DTSM-63 □ -V	7.0	[.275]
DTSM-62 □ -V	5.0	[.197]
DTSM-61 □ -V	4.3	[.169]
PROD. NO.	H	

General Tolerance : ±0.2mm

DTSM-64□

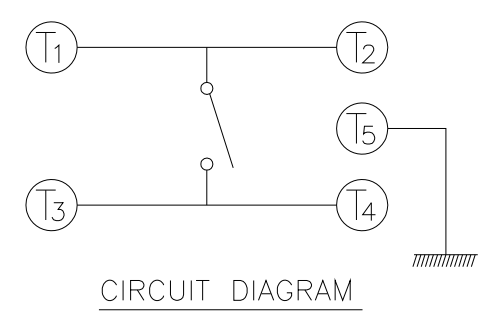
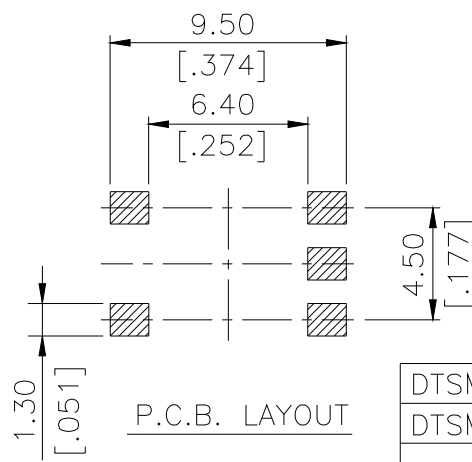
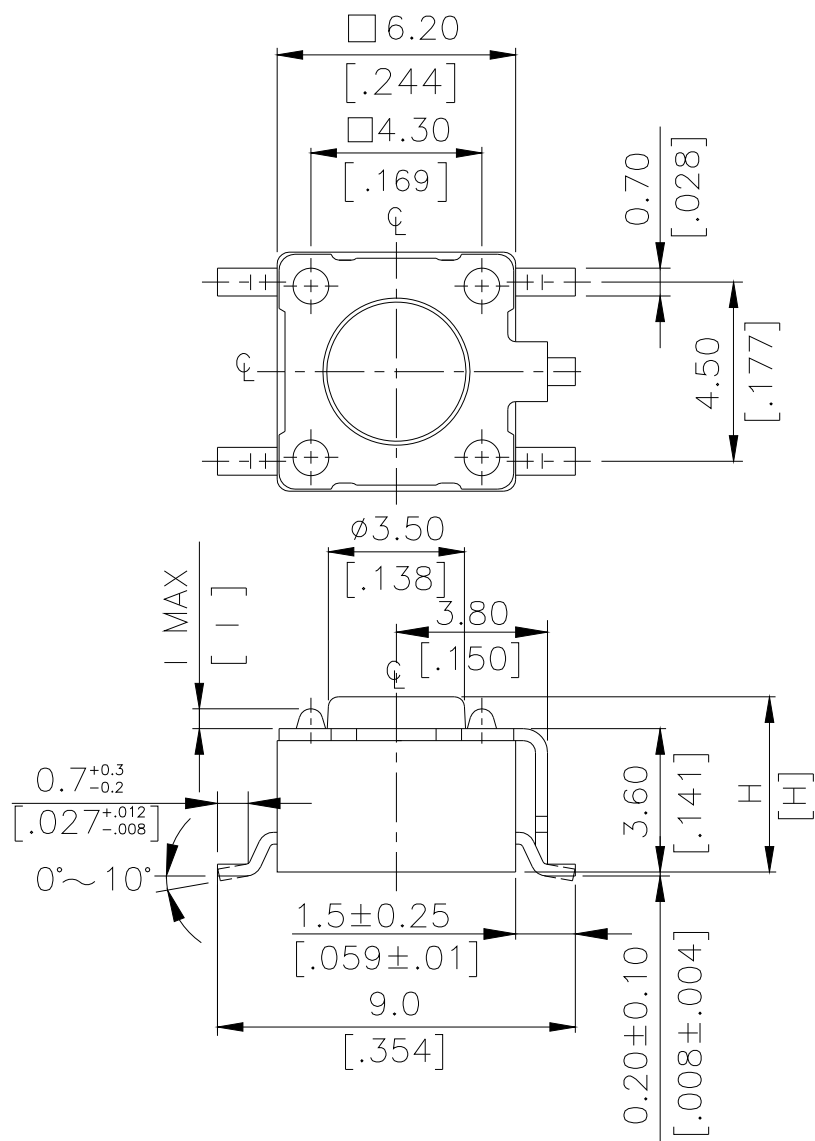


DTSM-644□-V	□A	2.4	[.095]
	□B	1.6	[.063]
DTSM-648□-V	□A	2.8	[.110]
	□B	2.0	[.079]
PROD. NO.	LOC.	MM.	INCH.

DIMENSION

General Tolerance : ±0.2mm

DTSMG-6

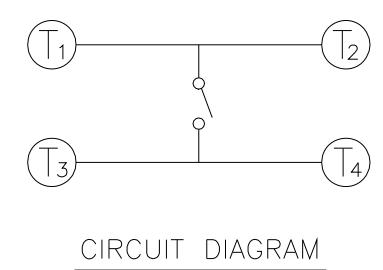
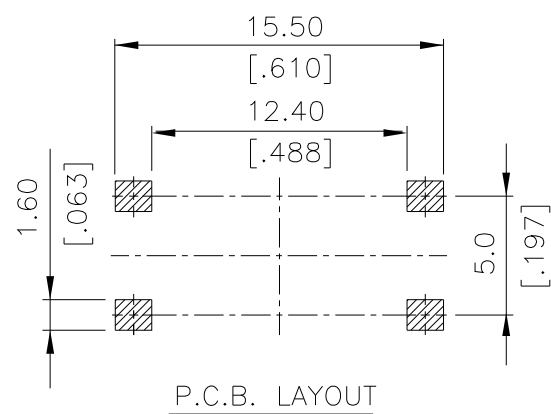
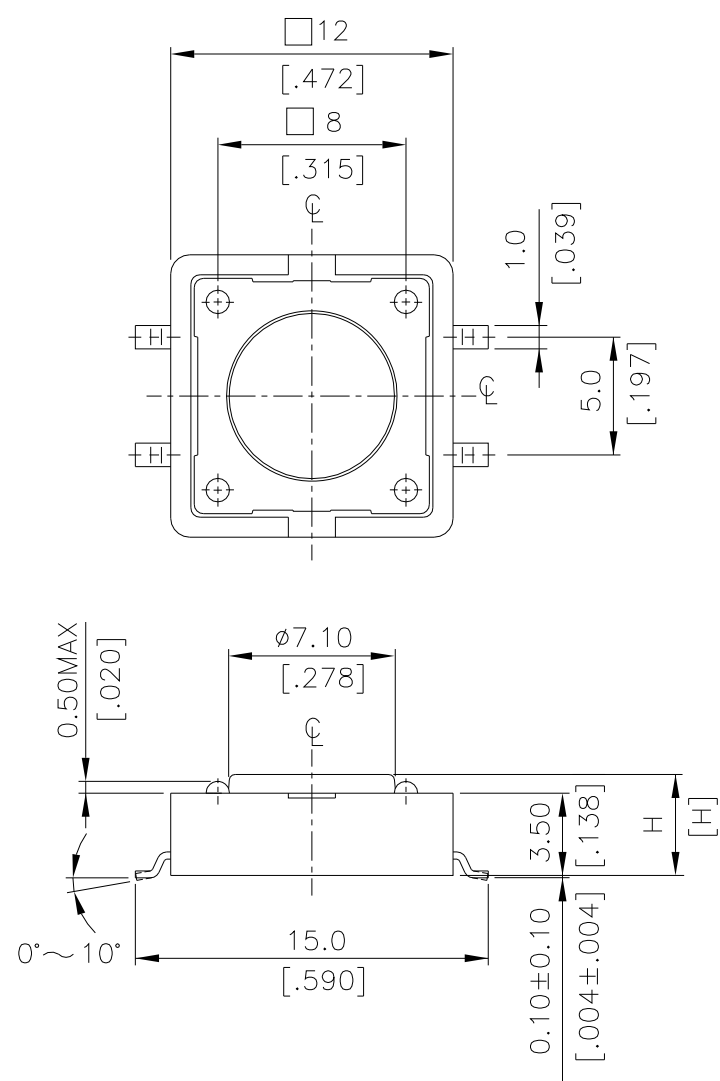


DTSMG-62~66□-V	0.5 MAX	.02MAX
DTSMG-61□-V	0.4 MAX	.016MAX
PROD. NO.	I	INCHES.

DTSMG- 6 6 □ -V	13.0 [0.512]
DTSMG- 6 5 □ -V	9.5 [0.374]
DTSMG- 6 3 □ -V	7.0 [0.275]
DTSMG- 6 2 □ -V	5.0 [0.197]
DTSMG- 6 1 □ -V	4.3 [0.169]
PROD. NO.	H

General Tolerance : ±0.2mm

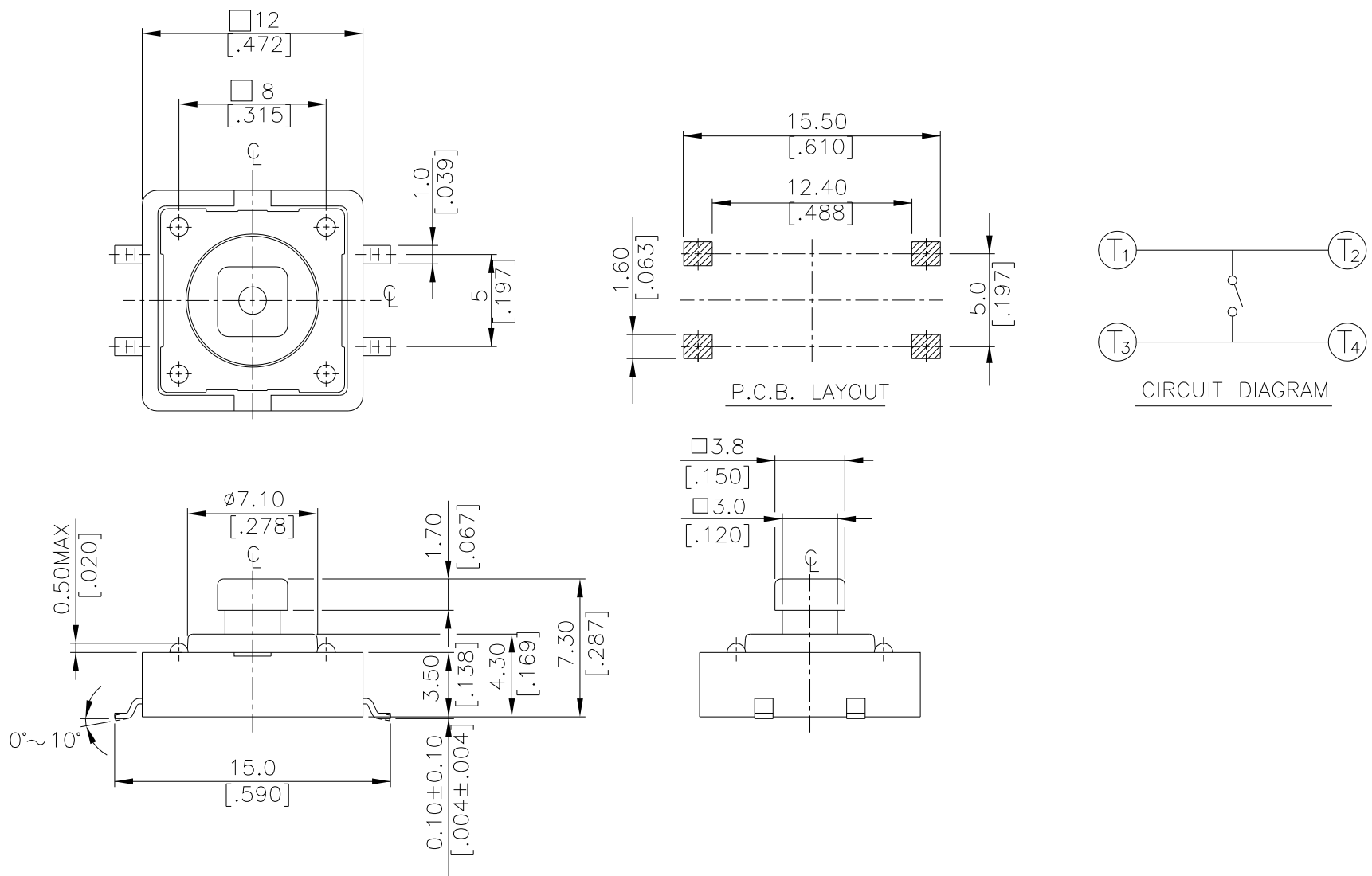
DTSM-2



DTSM-25	8.5[0.335]
DTSM-21	4.3[0.169]
PART NO	H

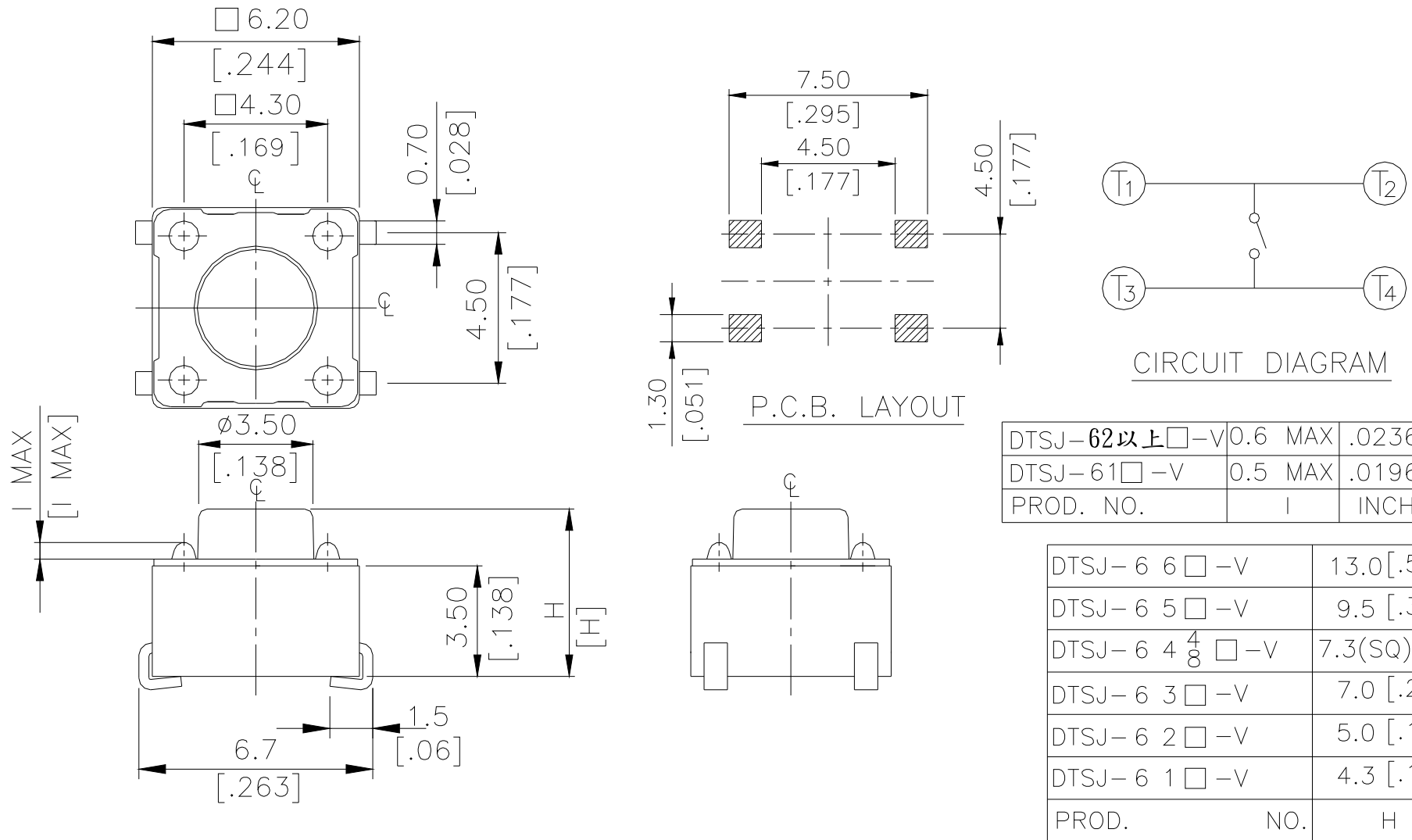
General Tolerance : ±0.2mm

DTSM-24



General Tolerance : ±0.2mm

DTSJ-6



DTSJ-62以上□-V	0.6 MAX	.0236 MAX
DTSJ-61□-V	0.5 MAX	.0196 MAX
PROD. NO.	I	INCHES

DTSJ-6 6□-V	13.0 [.512]
DTSJ-6 5□-V	9.5 [.374]
DTSJ-6 4 ⁴ / ₈ □-V	7.3(SQ)[.287]
DTSJ-6 3□-V	7.0 [.275]
DTSJ-6 2□-V	5.0 [.197]
DTSJ-6 1□-V	4.3 [.169]
PROD.	NO. H

HOW TO ORDER

D T S - - -

Package style :

B=Tube

T/R=Tape&Reel <▲ Except DTSM-66>

Soldering :

V=RoHS & Lead Free Solderable

Q=Halogen Free

=Phosphor Bronze Dome

S= Stainless Steel Dome

Color Of Stem For Operating Force :

K=Black,100gf

N=Brown,160gf

R=Red,260gf

S=Salmon,320gf

Y=Yellow,520gf

Dimension H :

1=4.3mm

2=5.0mm

3=7.0mm

44=7.3mm(SQ)X2.4mm

48=7.3mm(SQ)X2.8mm

5=9.5mm

6=13mm

Prod Size :

6=6X6mm

=Without Ground Terminal

G=With Ground Terminal

M=Surface-Mourting Type Tactile Switch

J= Surface-Mourting Type Tactile Switch

DTSM - 2 □ □ □ - □ - □

Package Style :

B = Tube

T/R = Tape & Reel

Soldering :

V = Lead Free Solderable

Q= Halogen Free

□=Phosphor Bronze Dome

S= Stainless Steel Dome (only for K,N,R)

Operating Force :

N = Brown,160gf

R = Red,260gf

S = Salmon,320gf

Dimension H :

1 = 4.3mm

4 = 7.3mm(SQ)X3.8mm

5 = 8.5mm

Prod. Size :

2 = 12X12mm

SMT

SPECIFICATION

△MECHANICAL

520 ± 130gf Yellow (Y)
320 ± 80gf Salmon (S)
Operation Force: 260 ± 50gf Red (R)
160 ± 50gf Brown (N)
100 ± 50gf Black (K)

Stroke: (6x6) 0.25 +0.2mm / -0.1mm
(12X12) 0.35 ±0.1mm

Operation Temperature: -25°C to +70°C

Storage Temperature: -30°C to +80°C

△ELECTRICAL(6x6mm)

*Phosphor Bronze dome

Electrical Life: 50,000 cycles for 320, 520gf
100,000 cycles for 260gf
200,000 cycles for 100, 160gf

*Stainless Steel dome

Electrical Life: 300,000 cycles for 320, 520gf
500,000 cycles for 260gf
1,000,000 cycles for 100, 160gf

△ELECTRICAL (12X12mm)

*Phosphor bronze dome

Electrical Life: 100,000 cycles for 320gf, 260gf
200,000 cycles for 160gf

*Stainless Steel dome

Electrical Life: 300,000 cypcles for 520gf, 320gf
500,000 cycles for 260gf
1,000,000 cycles for 160gf

Rating: 50mA , 12VDC

Contact Resistance: 100mΩ max.

Insulation Resistance: 100MΩ min. at 500VDC

Dielectric Strength: 250VAC/ minute

Contact Arrangement: SPST

MATERIAL

△COVER: Stainless Steel(for DTSM-6、2)
Nickel Silver (for DTSMG-6)

△BASE: UL94V-0 Nylon High-Temp. Thermoplastic
Color: Black (Standard)

Color: Brown (V option)

△STEM: UL94V-0 Nylon High-Temp. Thermoplastic

Color: Black (100gf), Brown (160gf)

Red (260gf), Salmon (320gf)

Yellow (520gf)

△CONTACT DISC: Phosphor Bronze with silver cladding
(Standard)

Stainless Steel(V option)

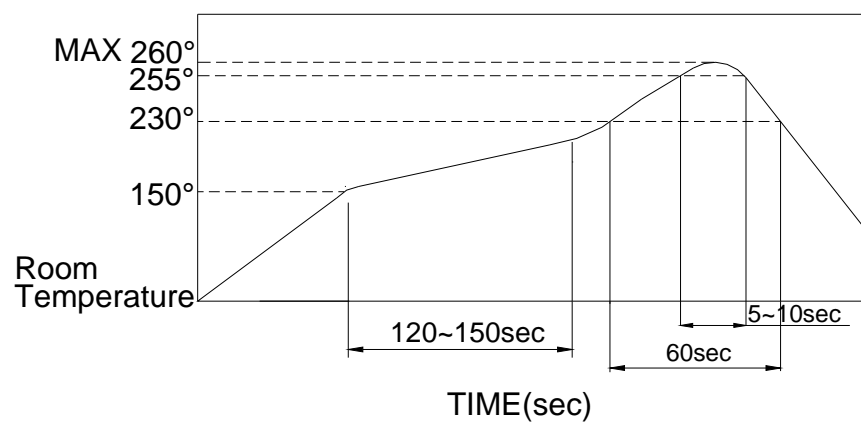
△TERMINAL: Brass with silver plated

SOLDERING PROCESS

△ **HAND SOLDERING** : Use a soldering iron of 30 watts, controlled at 350°C approximately 5 seconds while applying solder.

△ **REFLOW SOLDERING** : When applying reflow soldering, the peak temperature or the reflow oven should be set to 260°C max.

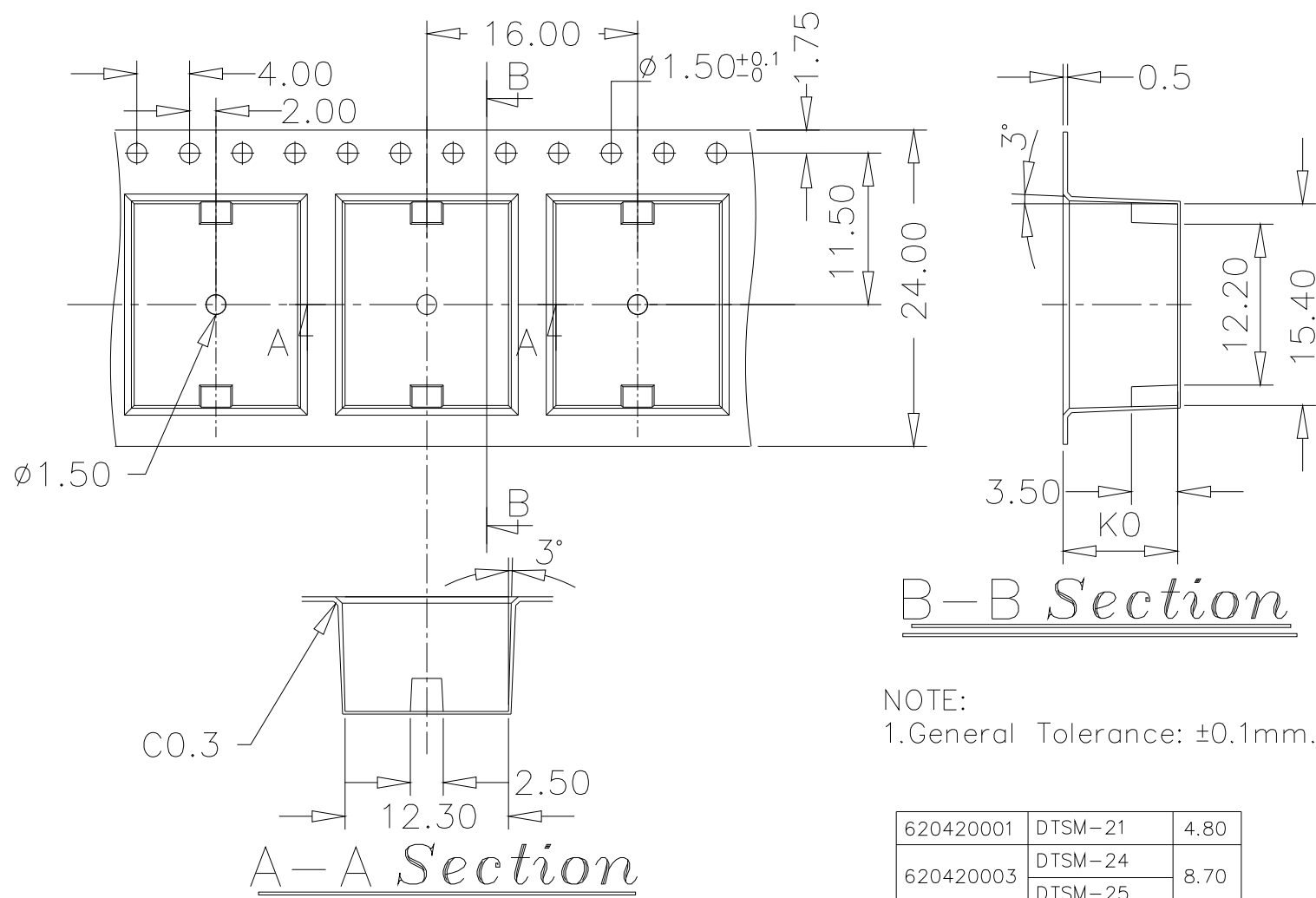
△ **Temperature Profile:**



PACKING

Part Number	Number Per Tube	Number Per Reel
DTSM-61	77	1000
DTSMG-61	-	1000
DTSM-62	77	900
DTSMG-62	-	1000
DTSM-63	77	700
DTSMG-63	-	500
DTSM-644(8)	77	500
DTSMG-644(8)	-	500
DTSM-65	77	380
DTSMG-65	-	380
DTSM-66	77	-
DTS(M)-21	40	700
DTS(M)-24	40	500
DTS(M)-25	40	400

DTSM-2 REEL

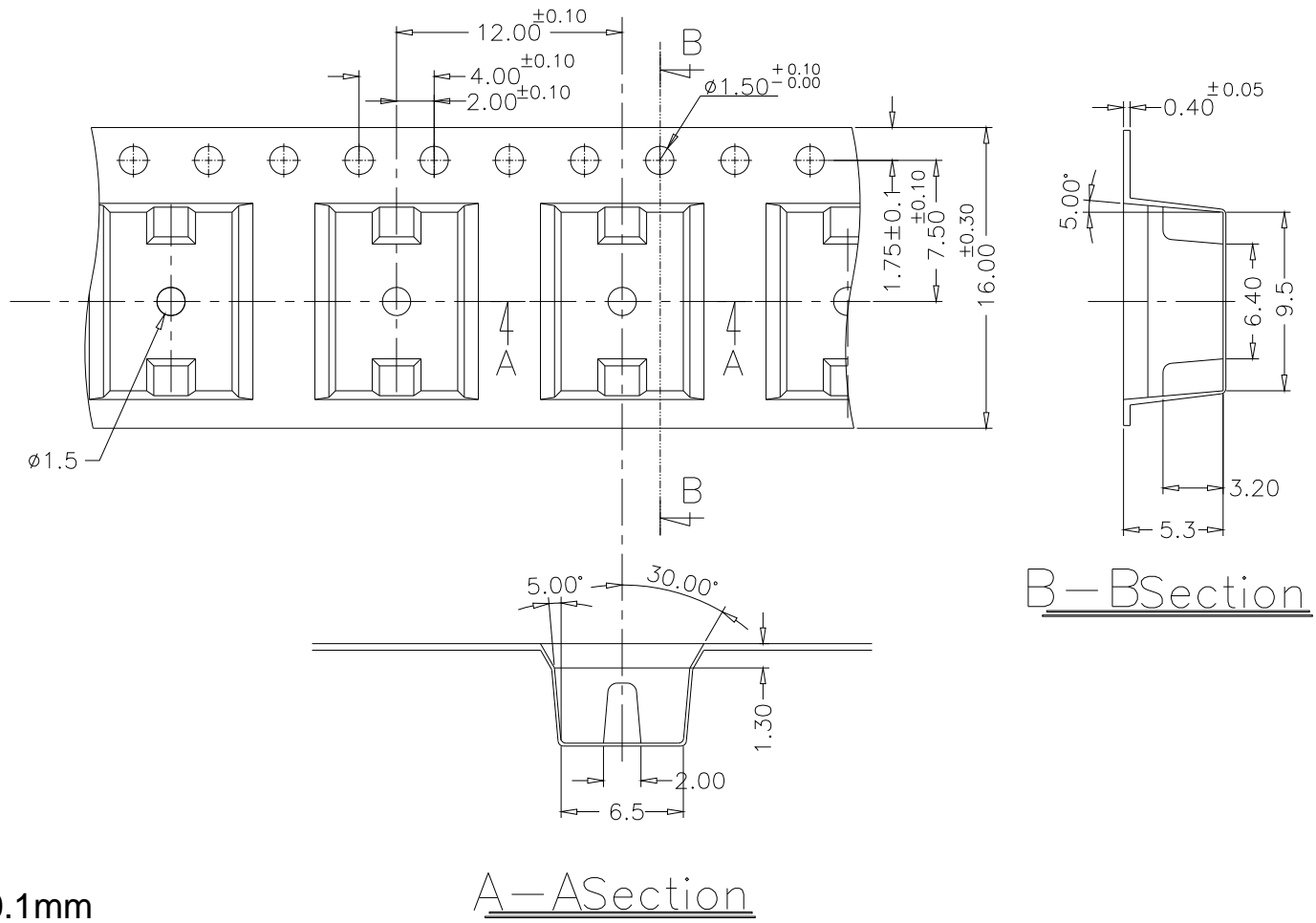


NOTE:
1. General Tolerance: $\pm 0.1\text{mm}$.

620420001	DTSM-21	4.80
620420003	DTSM-24	8.70
	DTSM-25	
PART NO:	PART NAME:	KO

General Tolerance : $\pm 0.1\text{mm}$

DTSM-61.62 REEL

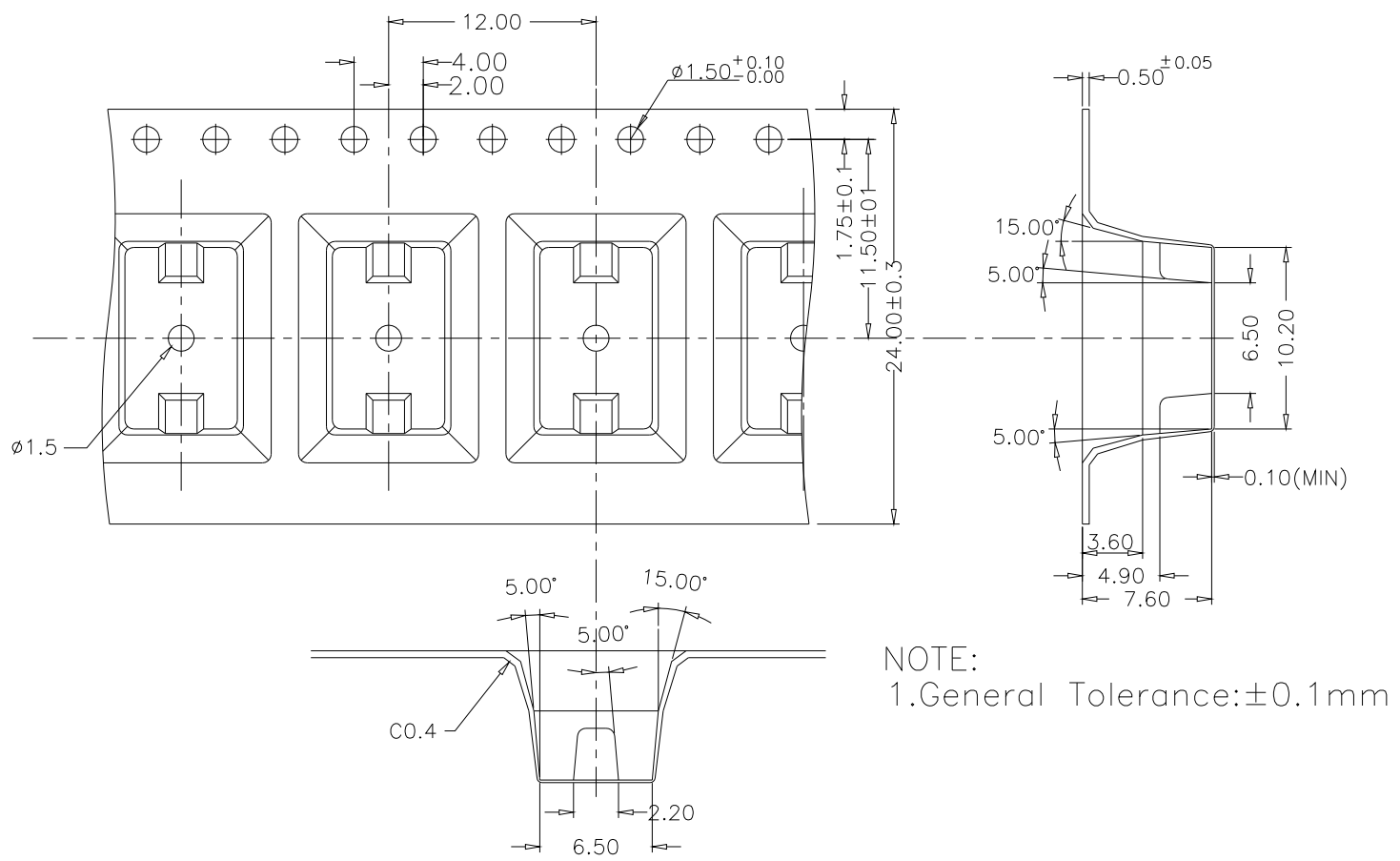


General Tolerance : ±0.1mm

A-A Section

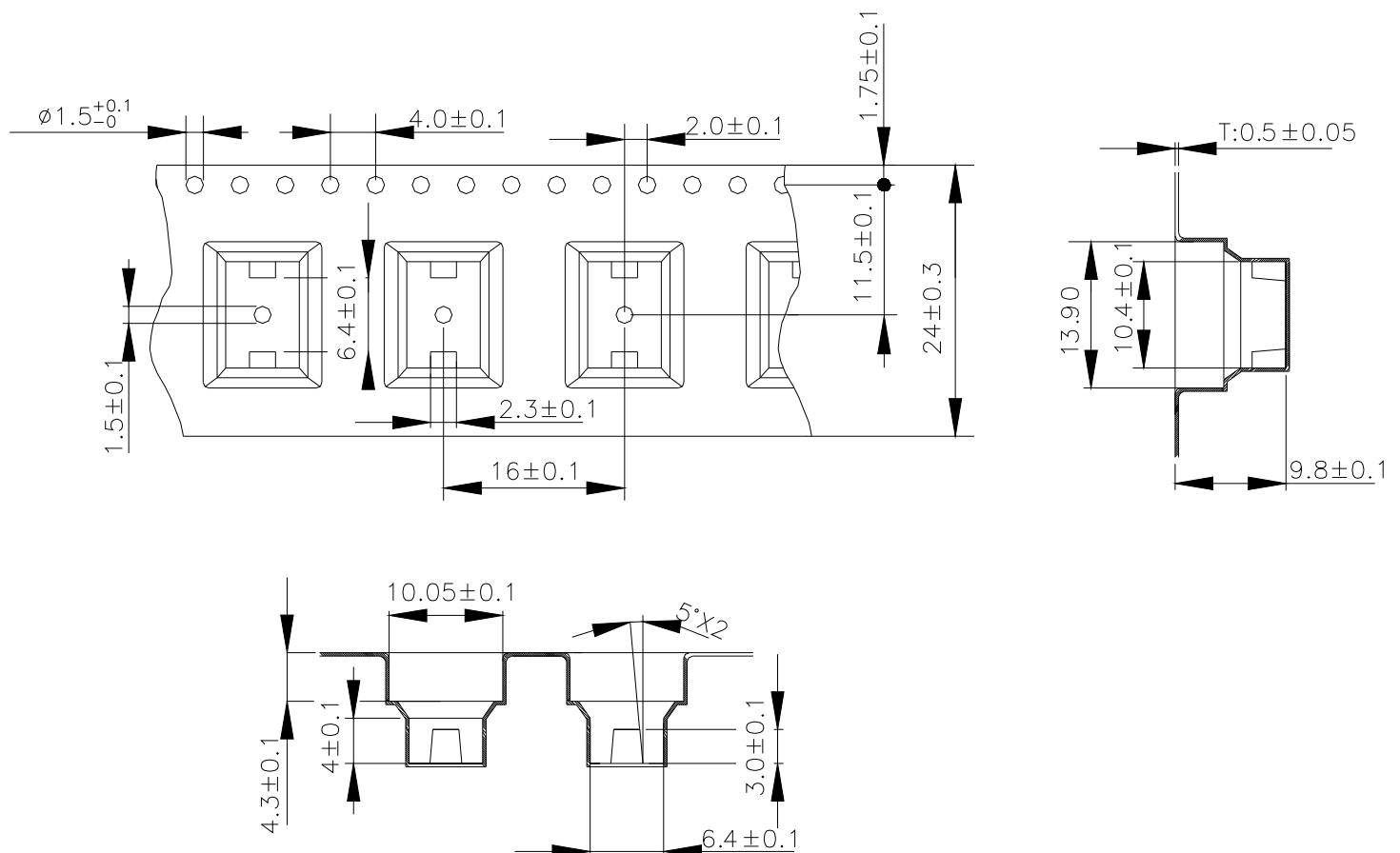
B-B Section

DTSM-64 REEL



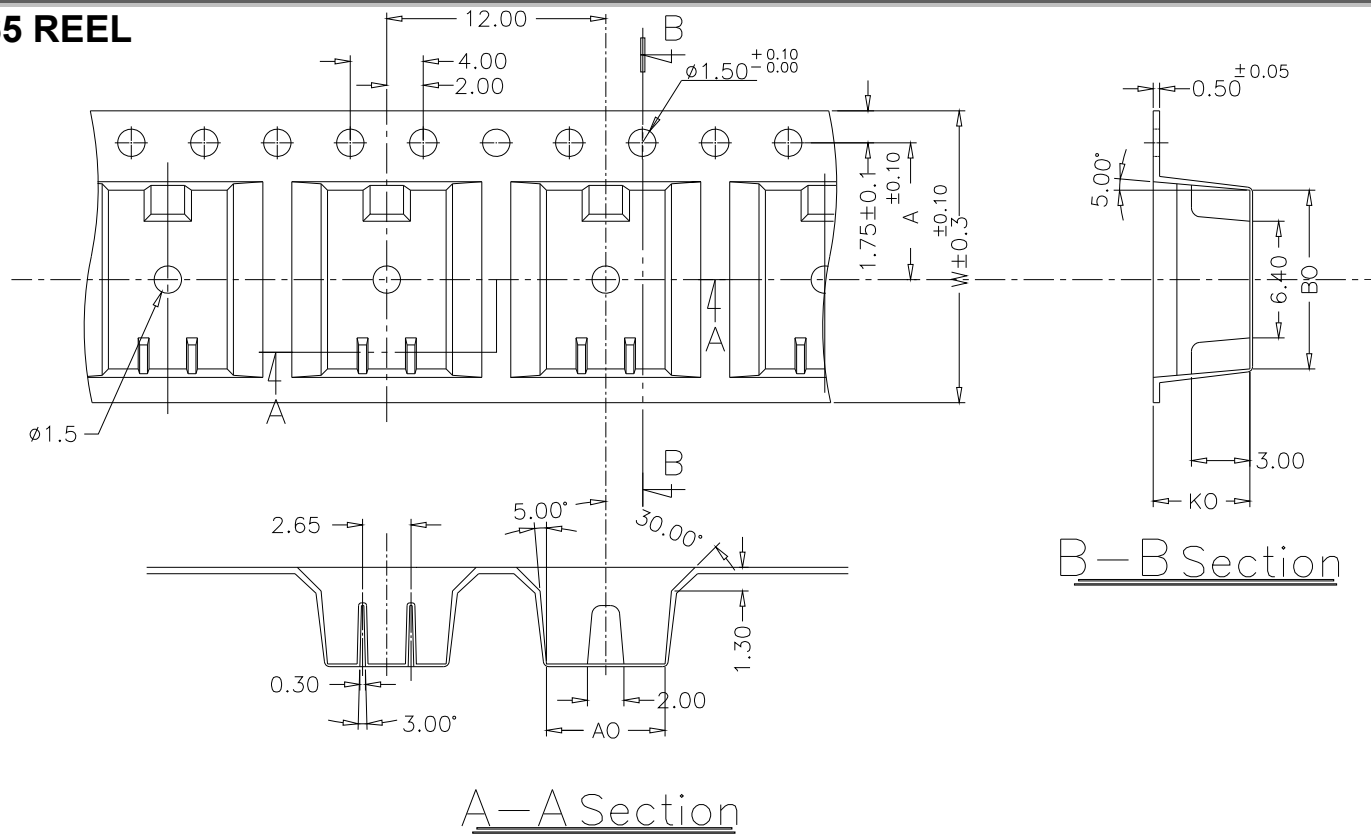
NOTE:
1. General Tolerance: ±0.1mm

DTSM-65 REEL



General Tolerance : ±0.1mm

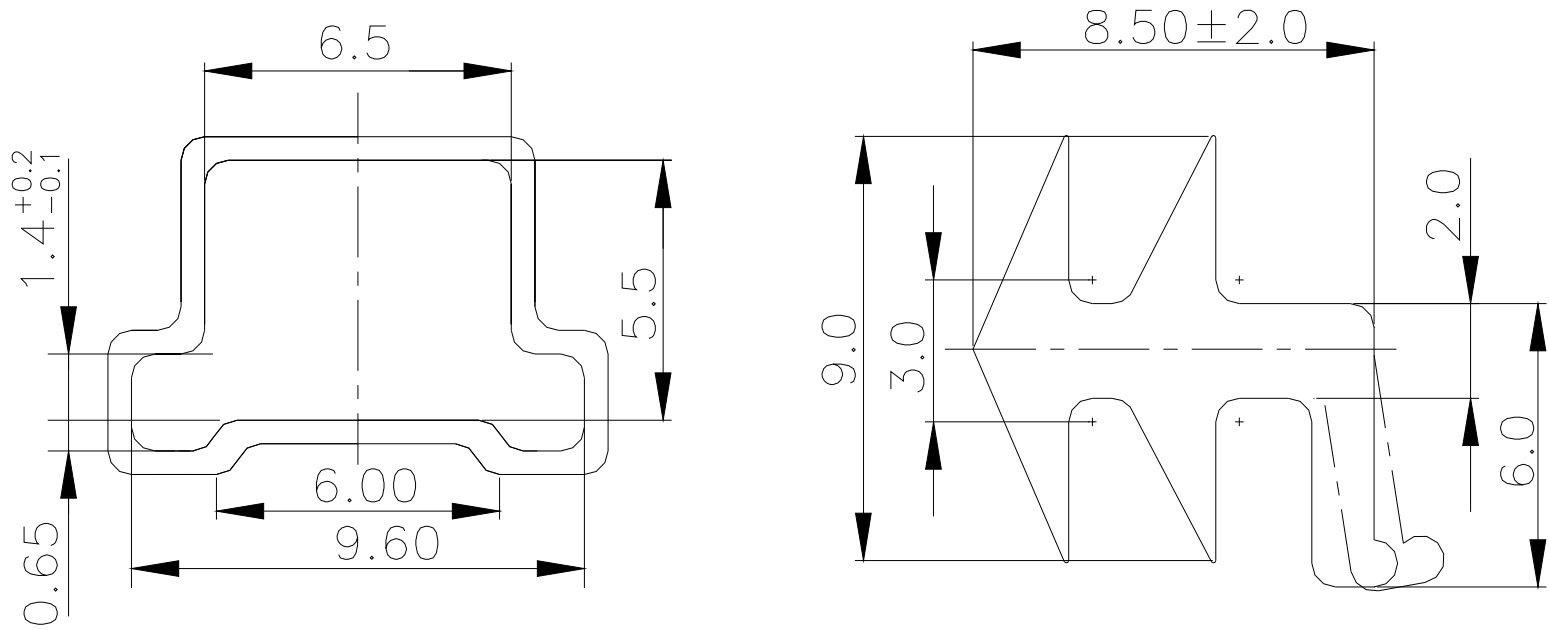
DTSMG-61.62.63.64.65 REEL



DTSMG-65	6.50	9.50	9.75	24.0	11.50
DTSMG-63.64	6.50	9.50	7.40	24.0	
DTSMG-61.62	6.50	9.50	5.30	16.0	7.50
PART NAME:	A0	B0	K0	W	A

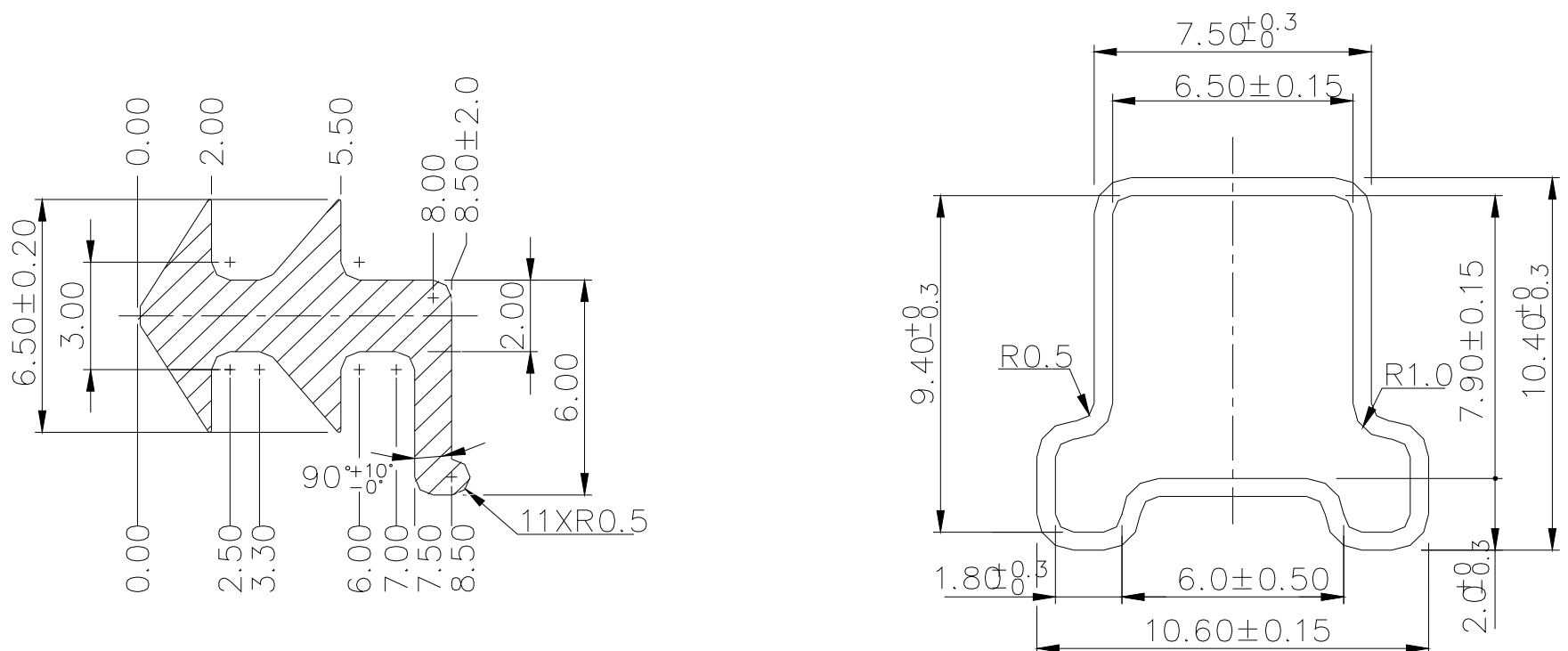
General Tolerance : $\pm 0.1\text{mm}$

DTSM-61.62 TUBE



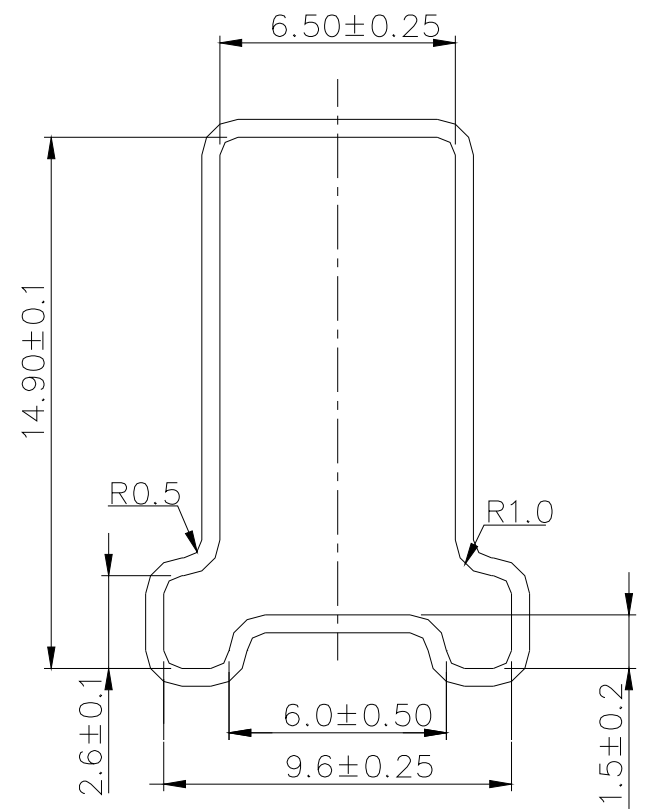
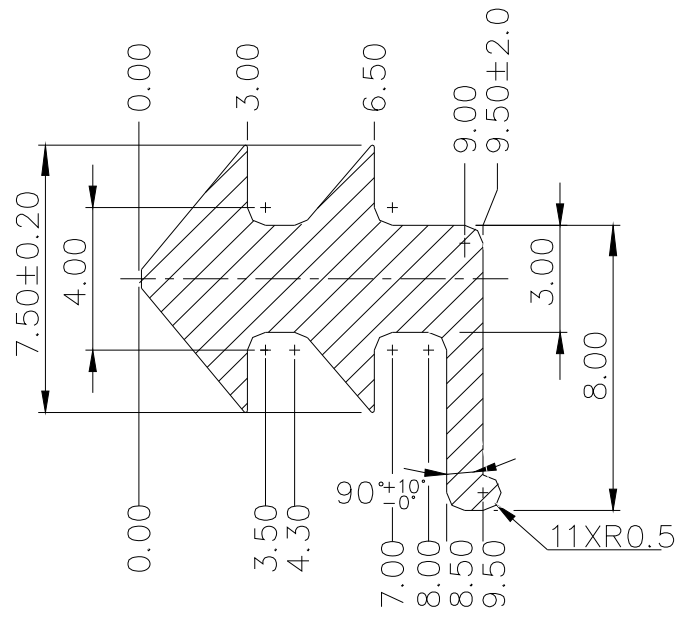
General Tolerance : $\pm 0.2\text{mm}$

DTSM-63.644(8) TUBE



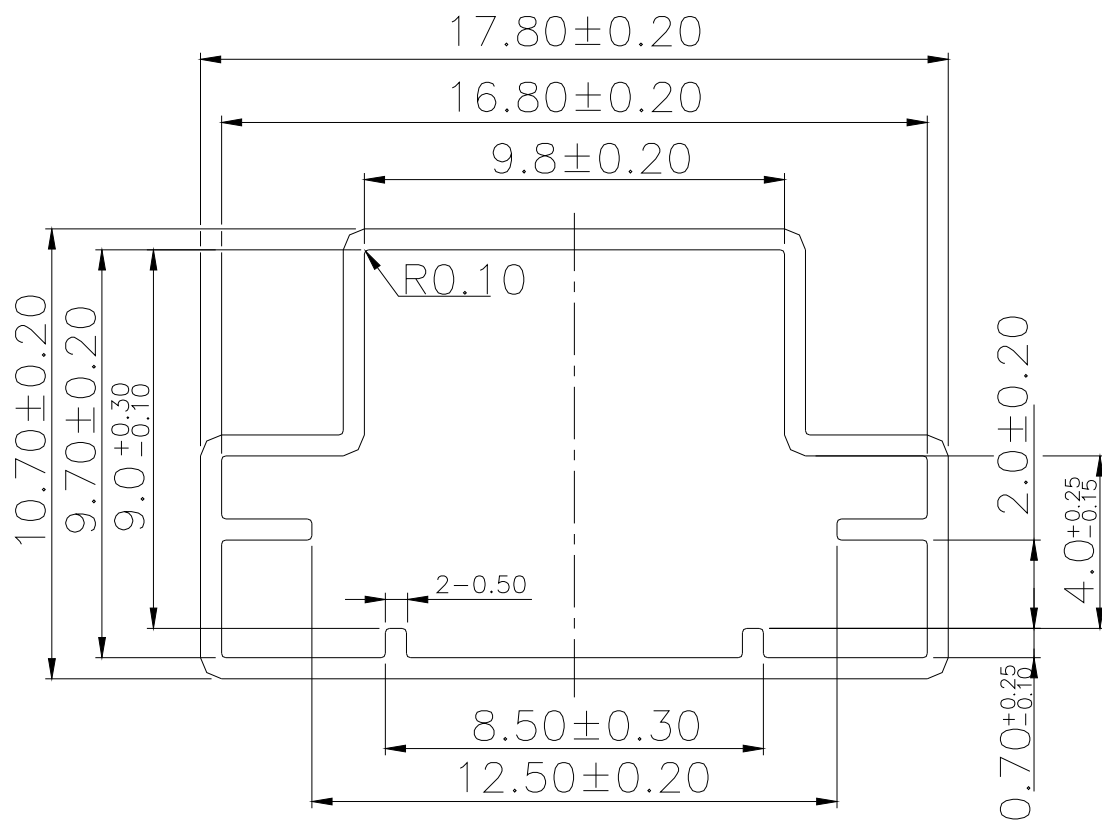
General Tolerance : $\pm 0.2\text{mm}$

DTSM-65.66 TUBE



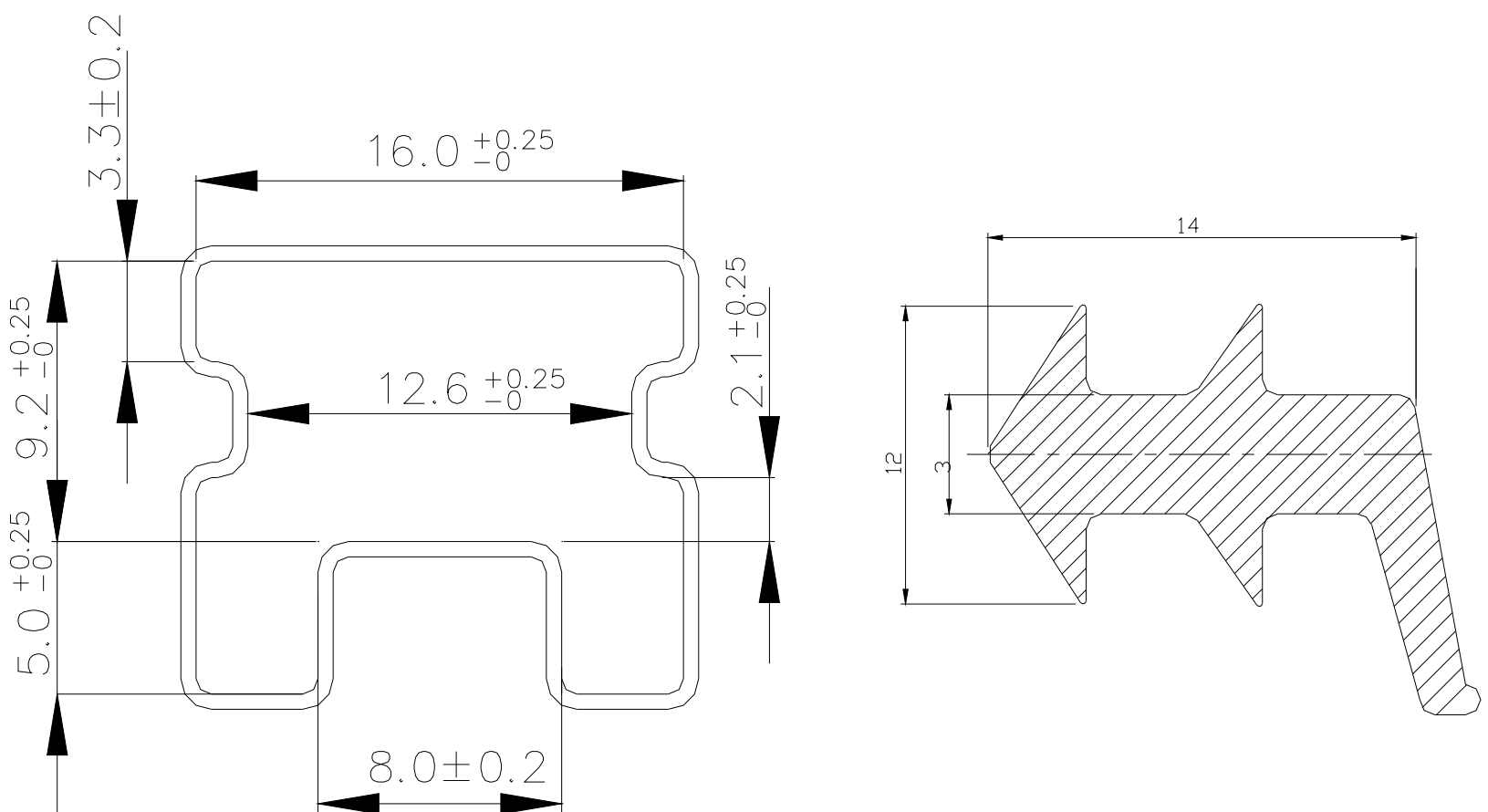
General Tolerance : ±0.2mm

DTSM-2 TUBE



General Tolerance : ±0.2mm

DTS-2 TUBE



General Tolerance : ±0.2mm