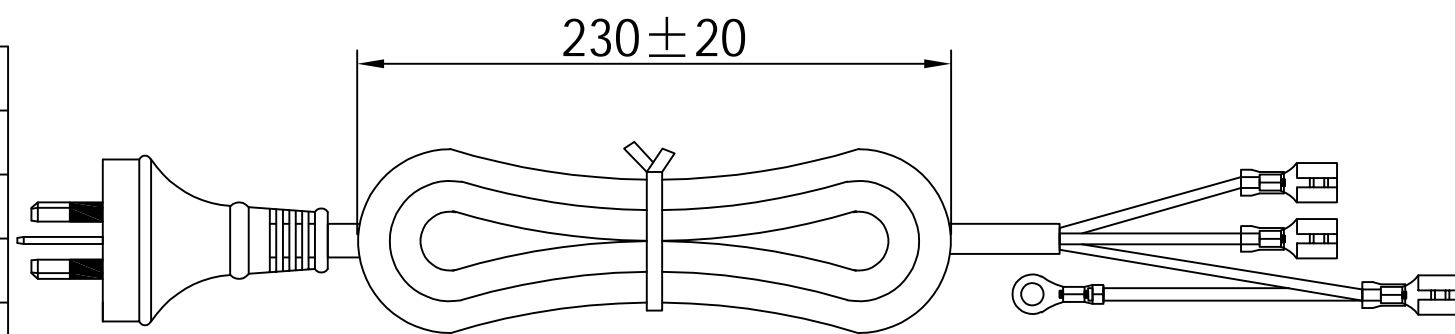


备注: 1. 10条/扎, 70条/箱, 纸箱大小为51*31*18CM, 净重14公斤.

⑦	CABLE: 1.0mm ² 32/0.20BS*2.5 YELLOW/GREEN L=100mm 线材: 1.0mm ² 32/0.20BS*2.5 黄/绿 L=100mm	1	pcs
⑥	TERMINAL: φ4.2mm RING TERMINAL φ 4.2mm环形端子, 镀锡	1	pcs
⑤	TERMINAL: 250#(6.3*0.8mm) FEMALE YELLOW SEMI-INSULATED TERMINAL 250#(6.3*0.8mm)黄色半绝缘冷压直插母端子(双铆)	1	pcs
④	TERMINAL: 250#(6.3*0.8mm) FEMALE RED SEMI-INSULATED TERMINAL 250#(6.3*0.8mm)红色半绝缘冷压直插母端子	2	pcs
③	PLUG PVC: KCS70-5001-85, BLACK 插头料: KCS70-5001-85, 黑色	40	g
②	THREE-CORE 10A SAA PLUG, WHITE 10A 澳插一体支架, 白色	1	pcs
①	CABLE: H05VV-F 3G1.0mm ² 32/0.20BS*2.5*3C(BROWN、BLUE、YELLOW/GREEN)*7.0 BLACK L=2000mm 线材: H05VV-F 3G1.0mm ² 32/0.20BS*2.5*3C(棕、蓝、黄/绿)*7.0 黑色 L=2000mm	1	pcs
ITEM	DESCRIPTION	QTY	UNIT



				DRAWING NO: 图号		DRAWN BY P. E: HAN		DATE 19.9.11		NINGBO A-LINE CABLE AND WIRE CO., LTD CONNECT THE WORLD	
				AIS-0009-00		CHECKED BY S. A:		DATE		CLIENT CODE: Ivent Solutions	
				DIMENSIONS IN MM DWG NOT TO SCALE		APPROVED BY MGR:		DATE		CUSTOMER PART NO: 货号 VT919100	
00	-	19.9.11	RTM	HAN							
REV	ECO	DATE	REMARK	CHG'D BY	CHG'D BY						