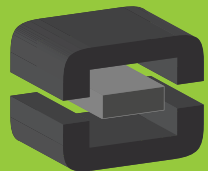


From Off-The-Shelf to Market-Ready© New Age Enclosures is your Single Source Solution.
Let us quote modifying our Stock Enclosures to meet your end-use.
visit newageenclosures.com/services or call 855-4NA-ENCL today.

CNC CUTOUTS
PART DECORATING
CUSTOM COLOR AND MATERIAL
RF/EMI SHIELDING
CUSTOM TOOL INSERTS
CUSTOM ENCLOSURES AND DESIGN



NEW AGE
ENCLOSURES

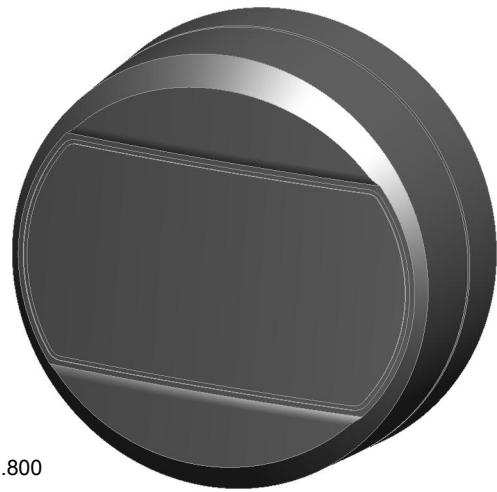
DEVELOP THE FUTURE



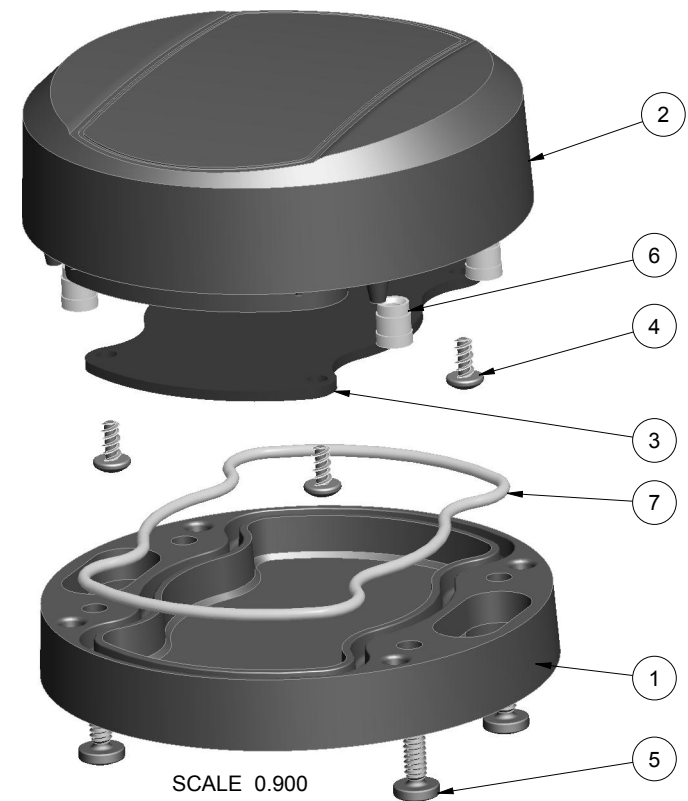
NOTES: UNLESS OTHERWISE SPECIFIED

1. CORNERS DRAWN SHARP TO BE R.005 MAXIMUM.
2. EXTERIOR SURFACE TEXTURE TO BE LIGHT EDM FINISH. EQUIVALENT TO MT-11010. TEXTURE ON ENCLOSURE WILL VARY FROM TIME TO TIME AS THE TOOL WEARS AND IT BECOMES NECESSARY TO REAPPLY.
3. INTERIOR SURFACE TEXTURE TO BE: NONE.
4. ALL INSIDE RADII .010R. UNLESS OTHERWISE SPECIFIED.
5. ALL EXTERNAL DIMENSIONS AFFECTED BY THE DRAFT APPLY AT THE LARGE END OF THE FEATURE, AND ALL INTERNAL FEATURES AFFECTED BY THE DRAFT APPLY AT THE SMALL END OF THE FEATURE UNLESS OTHERWISE SPECIFIED.
6. 1 DEGREE DRAFT IN THE DIRECTION OF PULL IS PERMISSIBLE UNLESS OTHERWISE SPECIFIED.
7. MATERIAL / COLOR: ASA PLASTIC IS STANDARD IN BLACK OR GRAY. CUSTOM MATERIALS AND COLORS ARE AVAILABLE UPON REQUEST FOR QUOTE. ALTERNATE RESINS HAVE DIFFERENT SHRINK RATES, AND WILL EFFECT DIMENSIONS.
8. PCB SIZES ARE RECOMMENDATIONS ONLY. FINAL SIZES AND VERIFICATION OF ITS FIT ARE THE SOLE RESPONSIBILITY OF EACH CUSTOMER.
10. ASSEMBLY SCREWS FOR THE ENCLOSURE INCLUDED. MOUNTING SCREWS FOR THE PCB ARE SOLD SEPARATELY.
11. THIS DRAWING IS BASED ON A SOLID MODEL, AND IS FURTHER DEFINED BY THE SOLID MODEL FILE.
12. ALLOWABLE FLASH: 0.010 MAX.
13. ALL EJECTOR PIN MARKS TO BE WITHIN 0.010" OF FLUSH, PROTRUDING OR BELOW FLUSH.
14. THIS ENCLOSURE IS DESIGNED FOR OUTDOOR USE AND MEETS IPX7 INGRESS PROTECTION STANDARD.

R E V I S I O N					
REV.	DRAWN BY	ECO No	DESCRIPTION	DATE	APPROVE
A	M BOYER	DR XXXX	PRELIMINARY RELEASE	2017-Jun-27	D.C.
B	M BOYER		REPLACED DOMED COVER WITH CURVED COVER	2017-Jul-13	D.C.
C	M BOYER		REVISE ORING PATH	2017-Sep-08	D.C.
D	M BOYER		UPDATE FEET HEIGHT	2018-Jan-09	D.C.
E	M BOYER		UPDATE HEIGHT AND ADD STRAP	2018-Mar-08	D.C.
F	M BOYER		ADAPT GENERIC FEATURES FOR NAE LINE	2018-Mar-19	D.C.
G	M BOYER		UPDATE TEXTURE INFORMATION	2018-Apr-03	D.C.
H	M BOYER		REVISE TITLE OF DRAWING	2018-Apr-06	D.C.
I	R CRUZ		UPDATE TO #037 O-RING	2018-Apr-25	D.C.
1.0	R CRUZ	02219	UPDATE TO AS-BUILT AND RELEASE	2019-Aug-08	



SCALE 0.800



SCALE 0.900

ITEM	FILE NAME	DESCRIPTION	MATERIAL	COLOR	QTY.
7	303013-ORING	#037 O-RING	SILICONE 70A	VARIES	1
6	PEM-INSERT_6-32	PEM INSERT 6-32 x .250"	BRASS	OVER MOLDED	4
5	6-32_PHILLIPS_SCREW	6-32 PHILLIPS SCREW x .500"	STAINLESS STEEL	MMC 91772A146	4
4	SCREW_HILO-N04X250	#4 HiLo SCREW x .250"	ZINC PLATED	CUSTOMER SUPPLIED	4
3	303013-PCB	303013 PCB - REFERENCE	.062" THICK	CUSTOMER SUPPLIED	1
2	303013-COVER	303013 COVER - STANDARD	ASA	BLACK or GRAY	1
1	303013-BASE	303013 BASE - STANDARD	ASA	BLACK or GRAY	1

BILL OF MATERIALS

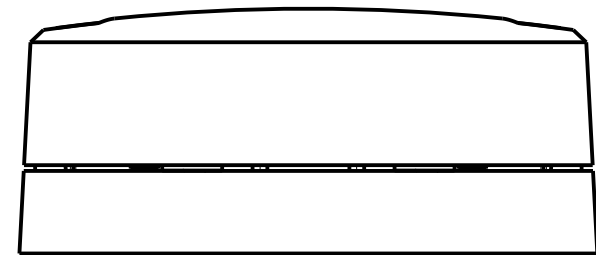
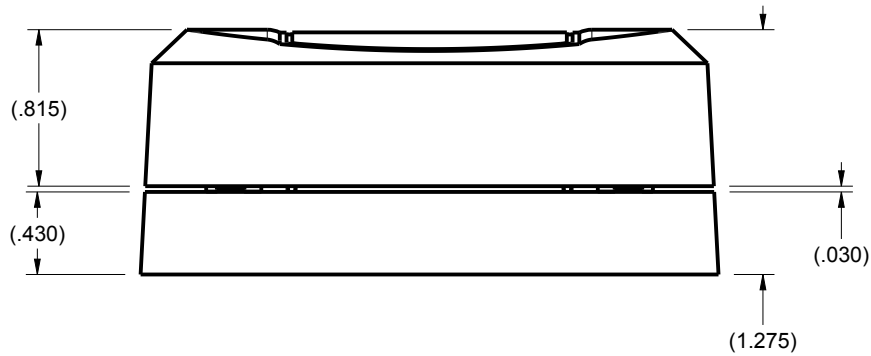
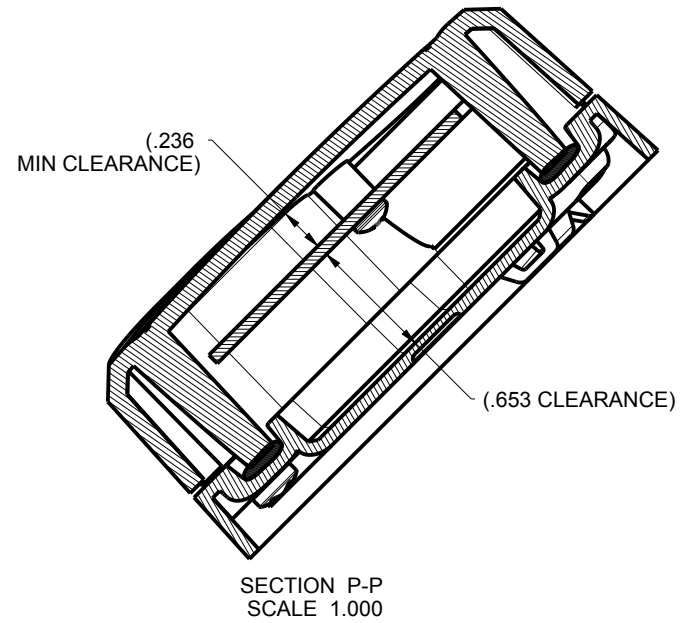
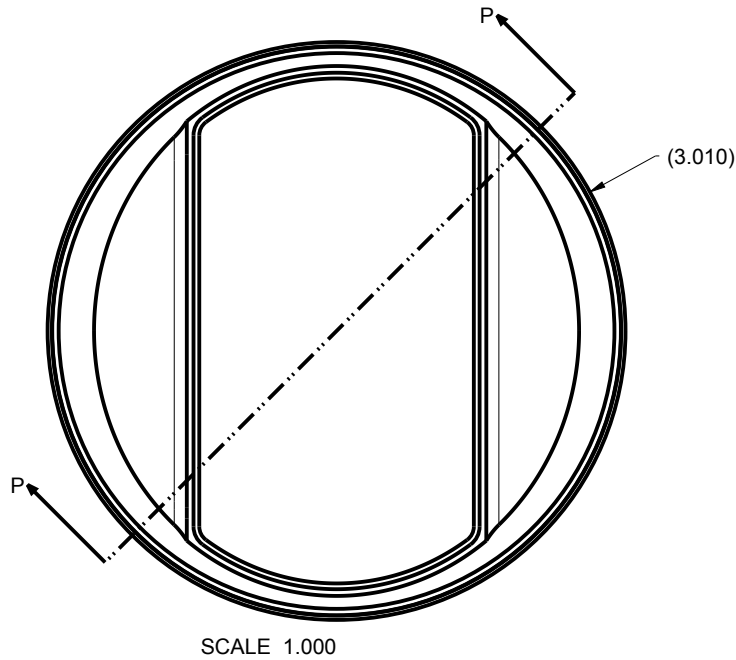
THIRD ANGLE PROJECTION	TOLERANCES: UNLESS OTHERWISE SPECIFIED DIMENSIONS ARE IN U.S. INCHES. X.XX = .015 X.XXXX = .001 X.XXX = .010 X.X" = 1°
DO NOT SCALE DRAWING	NEW AGE ENCLOSURES Customer's Part No: 303013
APPROVAL	BY DATE
CHECK	
ENG.	
SCALE	AS NOTED
DRAWN BY	2017-Jun-27
M BOYER	

NEW AGE ENCLOSURES
 2240 South Thornburg Street Santa Maria, CA. 93455
 ph. (805) 595-1310 fax (805) 595-1024
www.newageenclosures.com

**3" ROUND OUTDOOR - STANDARD
 SXX-303013-XXX**

SIZE	DRAWING NAME	SHEET	REV.DOC
A	303013_R1_0	1 OF 8	1.0

303013 ASSEMBLY



TOLERANCES: UNLESS OTHERWISE SPECIFIED
DIMENSIONS ARE IN U.S. INCHES.
X.XX = .015 X.XXXX = .001
X.XXX = .010 X.X° = 1°

NEW AGE ENCLOSURES

Customer's Part No: 303013

APPROVAL	BY	DATE
CHECK		
ENG.		
SCALE	AS NOTED	

DRAWN BY	2017-Jun-27
M BOYER	

NEW AGE ENCLOSURES

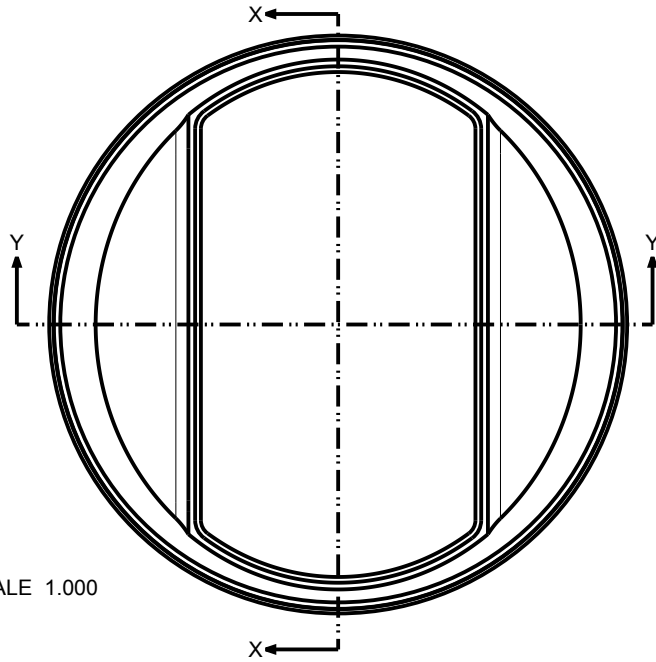
2240 South Thornburg Street Santa Maria, CA. 93455
ph. (805) 595-1310 fax (805) 595-1024
www.newageenclosures.com

3" ROUND OUTDOOR - STANDARD
SXX-303013-XXX

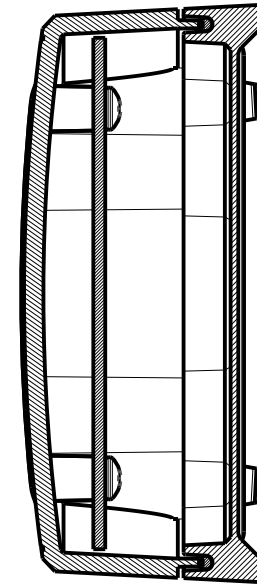
SIZE	DRAWING NAME
A	303013_R1_0

SHEET	REV.DOC
2 OF 8	1.0

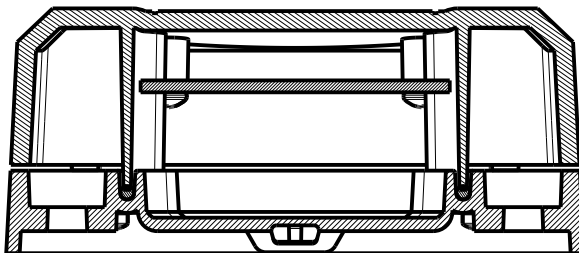
303013 ASSEMBLY



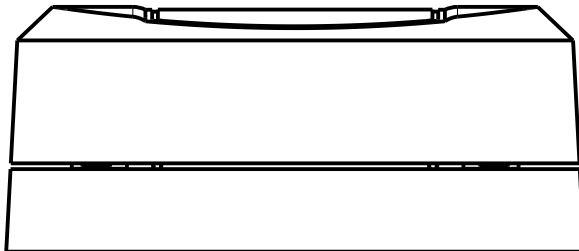
SCALE 1.000



SECTION X-X



SECTION Y-Y



TOLERANCES: UNLESS OTHERWISE SPECIFIED
DIMENSIONS ARE IN U.S. INCHES.
X.XX = .015 X.XXXX = .001
X.XXX = .010 X.X° = 1°

NEW AGE ENCLOSURES

Customer's Part No: 303013

APPROVAL BY DATE

CHECK

ENG.

SCALE AS NOTED

DRAWN BY M BOYER 2017-Jun-27

NEW AGE ENCLOSURES

2240 South Thornburg Street Santa Maria, CA. 93455
ph. (805) 595-1310 fax (805) 595-1024

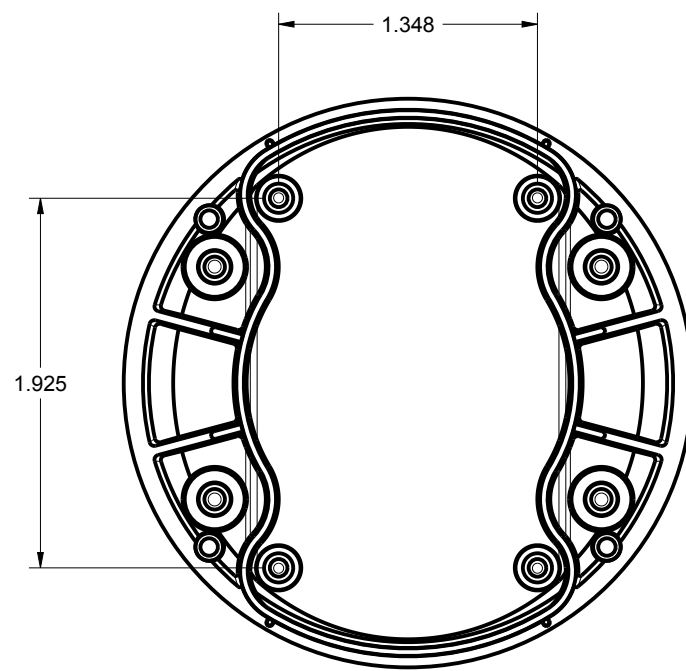
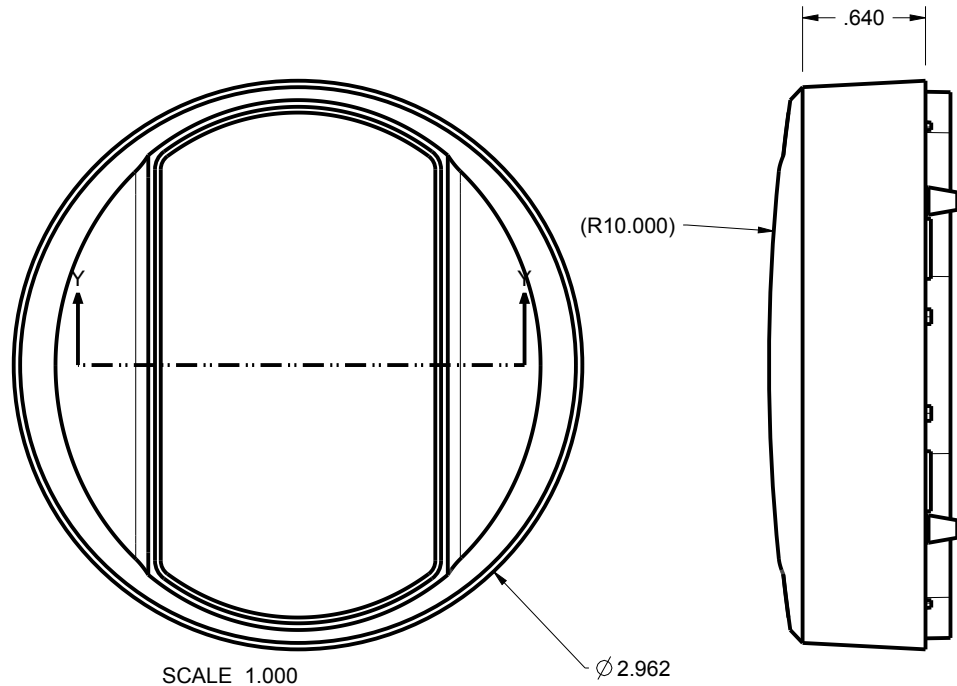
www.newageenclosures.com

3" ROUND OUTDOOR - STANDARD
SXX-303013-XXX

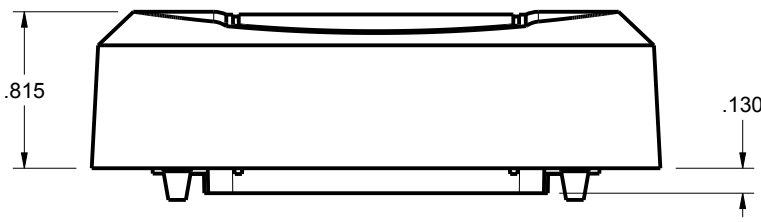
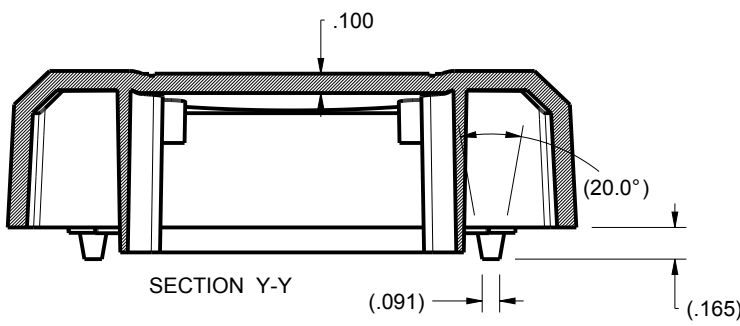
SIZE A DRAWING NAME 303013_R1_0

SHEET 3 OF 8 REV.DOC 1.0

303013 COVER



SCALE 1.000



TOLERANCES: UNLESS OTHERWISE SPECIFIED DIMENSIONS ARE IN U.S. INCHES.
 X.XX = .015 X.XXXX = .001
 X.XXX = .010 X.X° = 1°

NEW AGE ENCLOSURES
 Customer's Part No: 303013

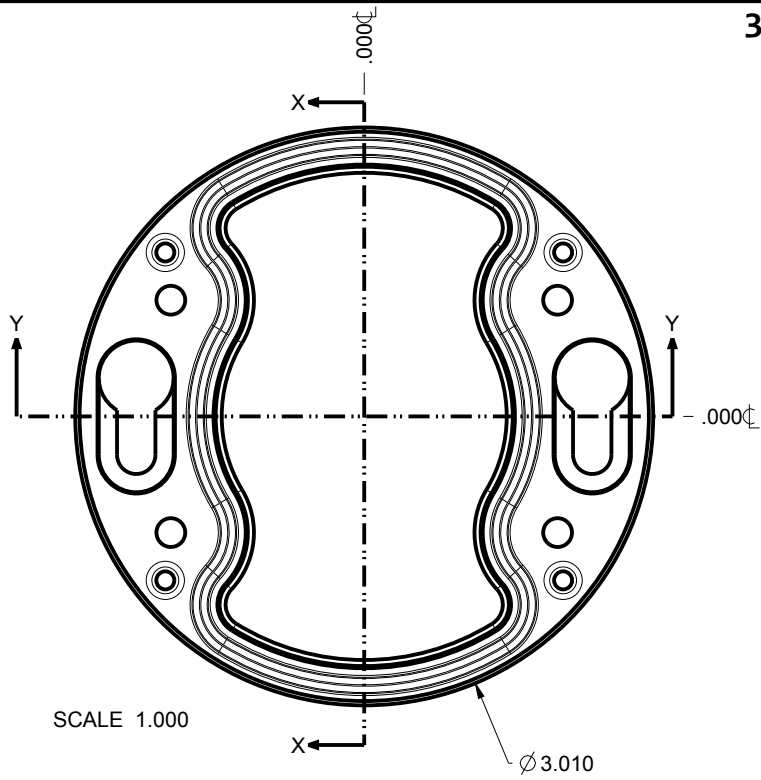
APPROVAL	BY	DATE
CHECK		
ENG.		
SCALE	AS NOTED	
DRAWN BY	M BOYER	
	2017-Jun-27	

NEW AGE ENCLOSURES
 2240 South Thornburg Street Santa Maria, CA. 93455
 ph. (805) 595-1310 fax (805) 595-1024
www.newageenclosures.com

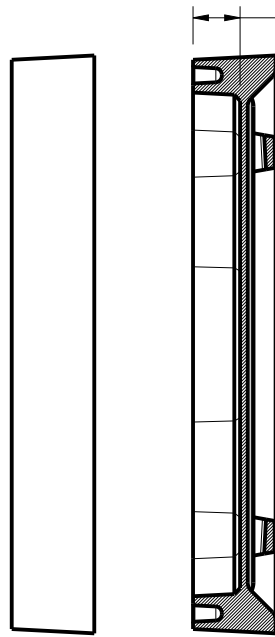
3" ROUND OUTDOOR - STANDARD
 SXX-303013-XXX

SIZE	DRAWING NAME	SHEET	REV.DOC
A	303013_R1_0	4 OF 8	1.0

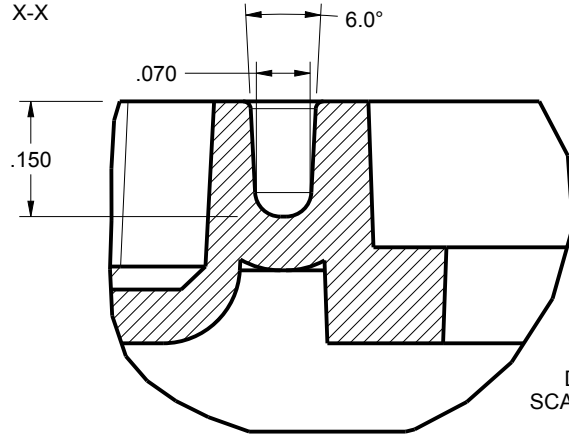
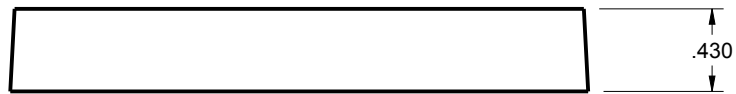
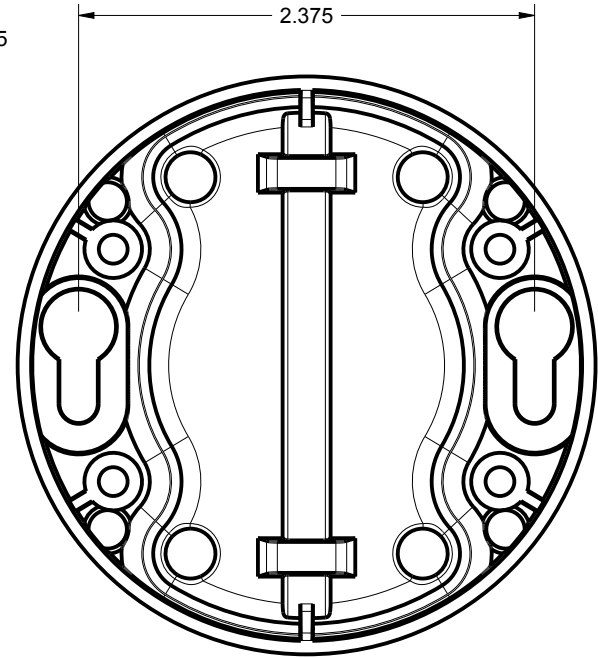
303013 BASE



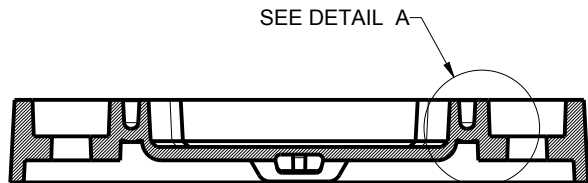
SCALE 1.000



SECTION X-X



DETAIL A
SCALE 4.000



SECTION Y-Y

TOLERANCES: UNLESS OTHERWISE SPECIFIED
DIMENSIONS ARE IN U.S. INCHES.

X.XX = .015 X.XXXX = .001
X.XXX = .010 X.X° = 1°

NEW AGE ENCLOSURES

Customer's Part No: 303013

APPROVAL BY DATE

CHECK

ENG.

SCALE AS NOTED

DRAWN BY M BOYER 2017-Jun-27

NEW AGE ENCLOSURES

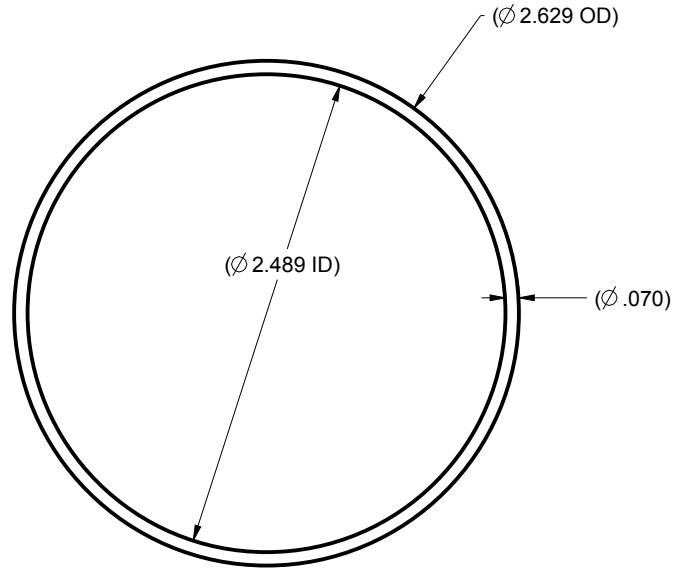
2240 South Thornburg Street Santa Maria, CA. 93455
ph. (805) 595-1310 fax (805) 595-1024
www.newageenclosures.com

3" ROUND OUTDOOR - STANDARD
SXX-303013-XXX

SIZE A DRAWING NAME 303013_R1_0

SHEET 5 OF 8 REV.DOC 1.0

303013 O-RING

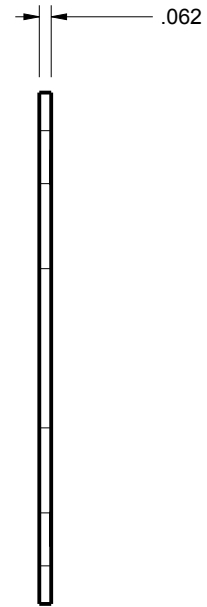
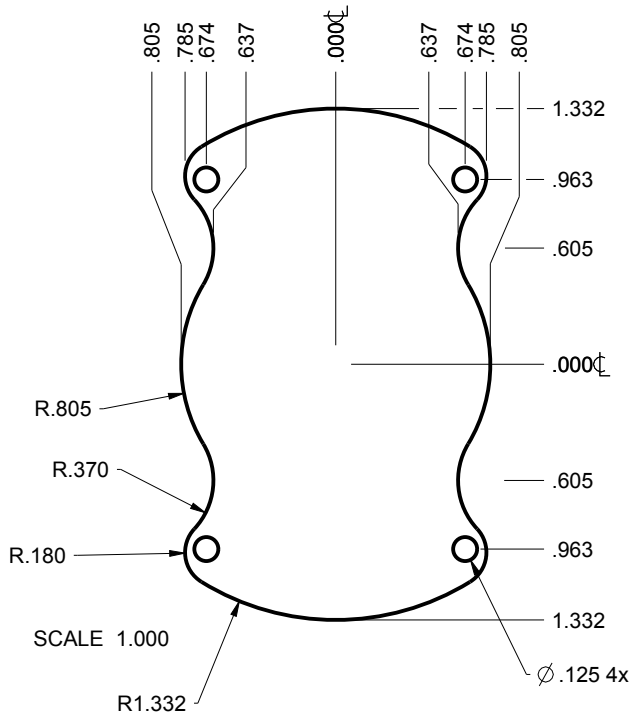


037 O-RING
SCALE 1.000

TOLERANCES: UNLESS OTHERWISE SPECIFIED DIMENSIONS ARE IN U.S. INCHES. X.XX = .015 X.XXXX = .001 X.XXX = .010 X.X° = 1°		NEW AGE ENCLOSURES 2240 South Thornburg Street Santa Maria, CA. 93455 ph. (805) 595-1310 fax (805) 595-1024 www.newageenclosures.com			
NEW AGE ENCLOSURES Customer's Part No: 303013					
APPROVAL	BY	DATE	3" ROUND OUTDOOR - STANDARD SXX-303013-XXX		
CHECK					
ENG.					
SCALE	AS NOTED				
DRAWN BY		SIZE	DRAWING NAME	SHEET	REV.DOC
M BOYER	2017-Jun-27	A	303013_R1_0	6 OF 8	1.0

303013 PCB - CUSTOMER SUPPLIED

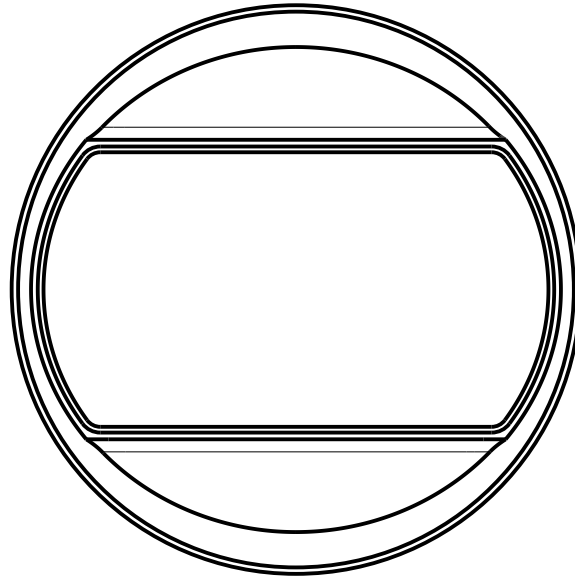
PCB SIZES ARE RECOMMENDATIONS ONLY. FINAL SIZES AND VERIFICATION OF ITS FIT ARE THE SOLE RESPONSIBILITY OF THE OEM.



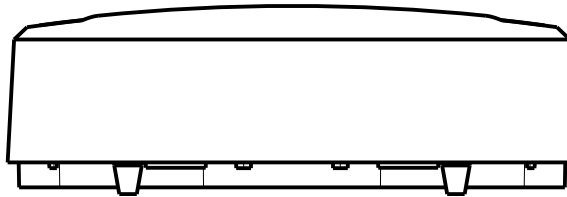
TOLERANCES: UNLESS OTHERWISE SPECIFIED DIMENSIONS ARE IN U.S. INCHES. X.XX = .015 X.XXXX = .001 X.XXX = .010 X.X° = 1°		NEW AGE ENCLOSURES	
NEW AGE ENCLOSURES		2240 South Thornburg Street Santa Maria, CA. 93455 ph. (805) 595-1310 fax (805) 595-1024 www.newageenclosures.com	
Customer's Part No: 303013		3" ROUND OUTDOOR - STANDARD SXX-303013-XXX	
APPROVAL	BY	DATE	
CHECK			
ENG.			
SCALE	AS NOTED		
DRAWN BY		SIZE	DRAWING NAME
M BOYER	2017-Jun-27	A	303013_R1_0
		SHEET	REV.DOC
		7 OF 8	1.0

303013 2nd OPERATION DETAILS

NEW AGE ENCLOSURES DELIVERS YOUR ENCLOSURE MARKET-READY WITH IN-HOUSE CNC MACHINING, PAD PRINTING, ASSEMBLY, AND FULFILLMENT. ALL SURFACES AND AREAS ARE AVAILABLE FOR CNC ALTERATION BY NEW AGE ENCLOSURES CALL (805) 595-1310 FOR PRICING AND SCHEDULE. THE INSIDE RADIUS OF ANY MACHINED FEATURES SHOULD BE NO SMALLER THAN .031"



SCALE 1.000



TOLERANCES: UNLESS OTHERWISE SPECIFIED DIMENSIONS ARE IN U.S. INCHES.
 X.XX = .015 X.XXXX = .001
 X.XXX = .010 X.X° = 1°

NEW AGE ENCLOSURES

Customer's Part No: 303013

NEW AGE ENCLOSURES

2240 South Thornburg Street Santa Maria, CA. 93455
 ph. (805) 595-1310 fax (805) 595-1024

www.newageenclosures.com

APPROVAL	BY	DATE
CHECK		
ENG.		
SCALE	AS NOTED	
DRAWN BY	M BOYER	
	2017-Jun-27	

3" ROUND OUTDOOR - STANDARD
 SXX-303013-XXX

SIZE	DRAWING NAME	SHEET	REV.DOC
A	303013_R1_0	8 OF 8	1.0

SXX-303013-XXX COVER - ASA, BLACK

STEP NO	DESCRIPTION	CUTTER	FIXTURE	ORIENTATION	PROGRAM
1-C-C1	-	T2 = .062" EM	-	-	o1001
2-C-C2	-	T2 = .062" EM	-	-	o1002