

Tentative

The Panasonic logo is located in the top right corner of the page. It consists of the word "Panasonic" in a white, sans-serif font, centered within a blue rectangular background that has a subtle gradient.

NCR21700 data sheet

Automotive & Industrial Systems Company of Panasonic Group
Portable Rechargeable Battery Business Division, SANYO Electric Co., Ltd.

Specifications for NCR21700

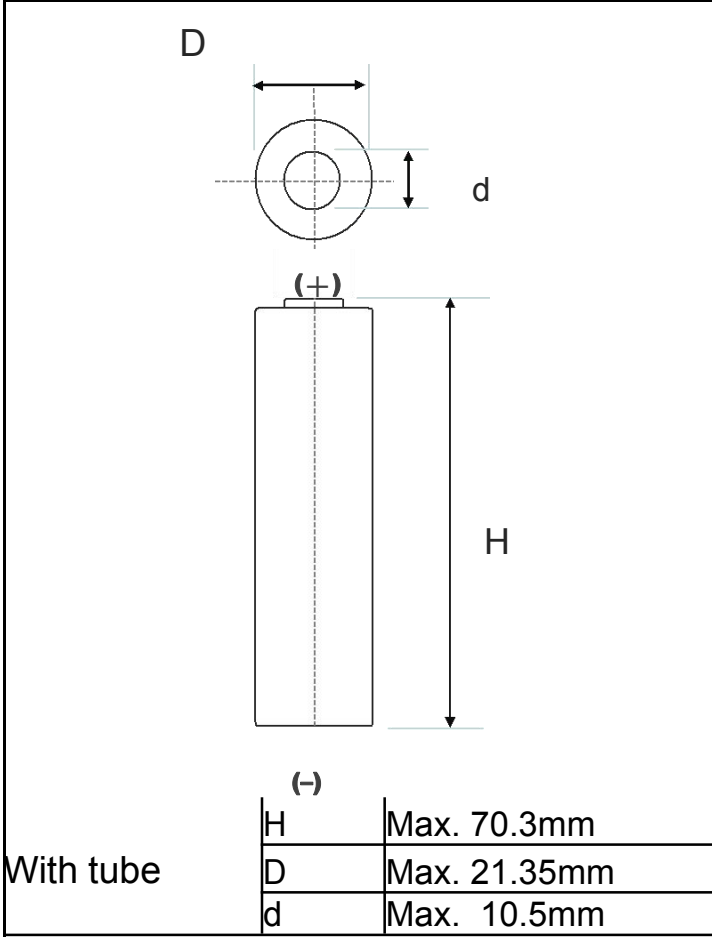
Specifications

Rated capacity ⁽¹⁾		4800mAh
Capacity ⁽²⁾	Minimum	4900mAh
	Typical	5000mAh
Nominal voltage		3.6V
Charging	Method	CC-CV
	Voltage	4.20V
	Current	Std. 2500mA
	Time	Std. 180min.
Weight (max.)		65.0g
Temperature	Charge	10 to +45° C
	Discharge	-20 to +60° C
	Storage	-20 to +50° C
Energy density ⁽³⁾	Volumetric	775 Wh/l
	Gravimetric	263 Wh/kg

⁽¹⁾At 20° C ⁽²⁾At 25° C

⁽³⁾Energy density is calculated using bare cell dimensions (without tube).

Dimensions

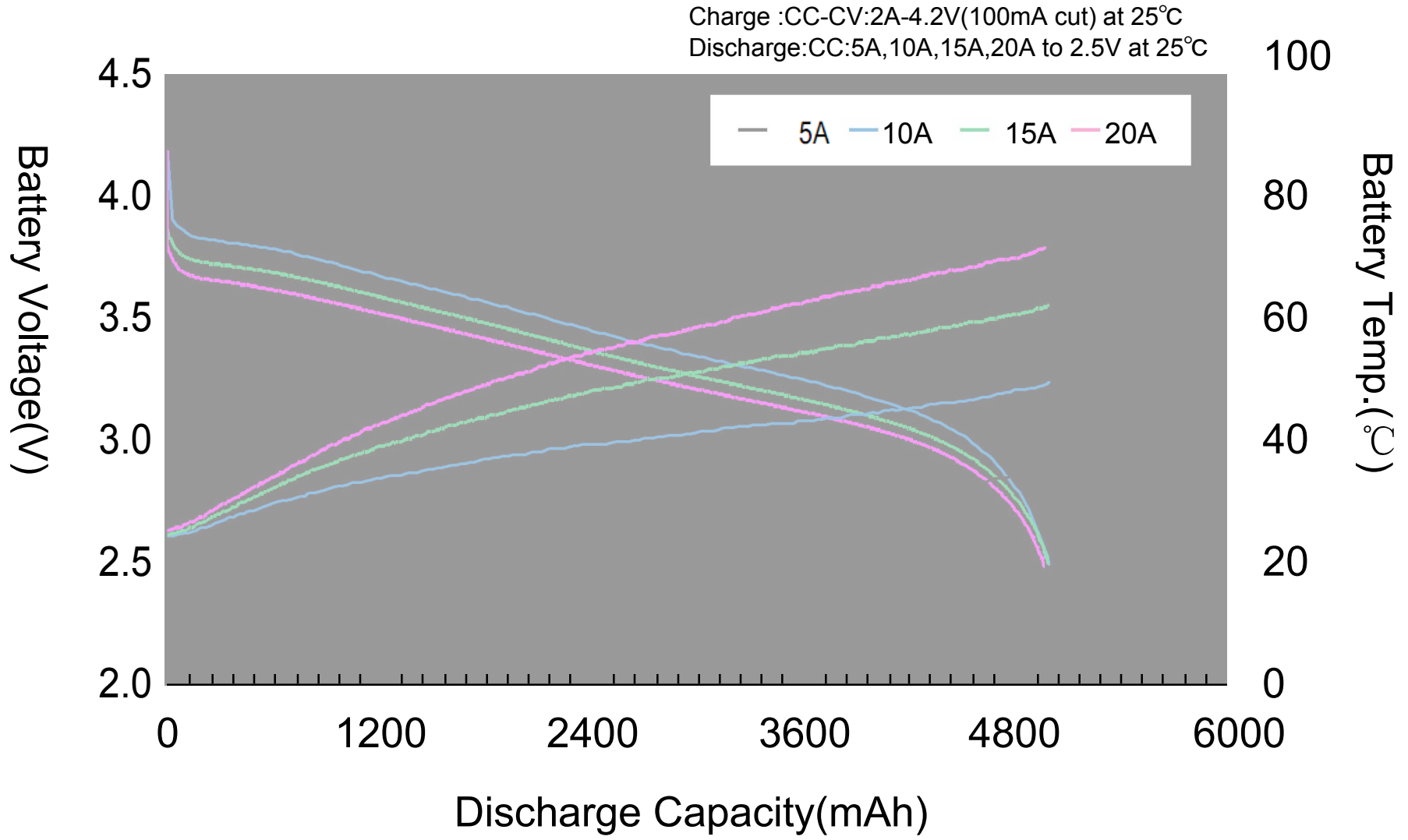


When designing a pack, refer to the cell's mechanical drawing for precise dimensions.

<Remark> These values are not guaranteed values.



Discharge rate Characteristics for NCR21700

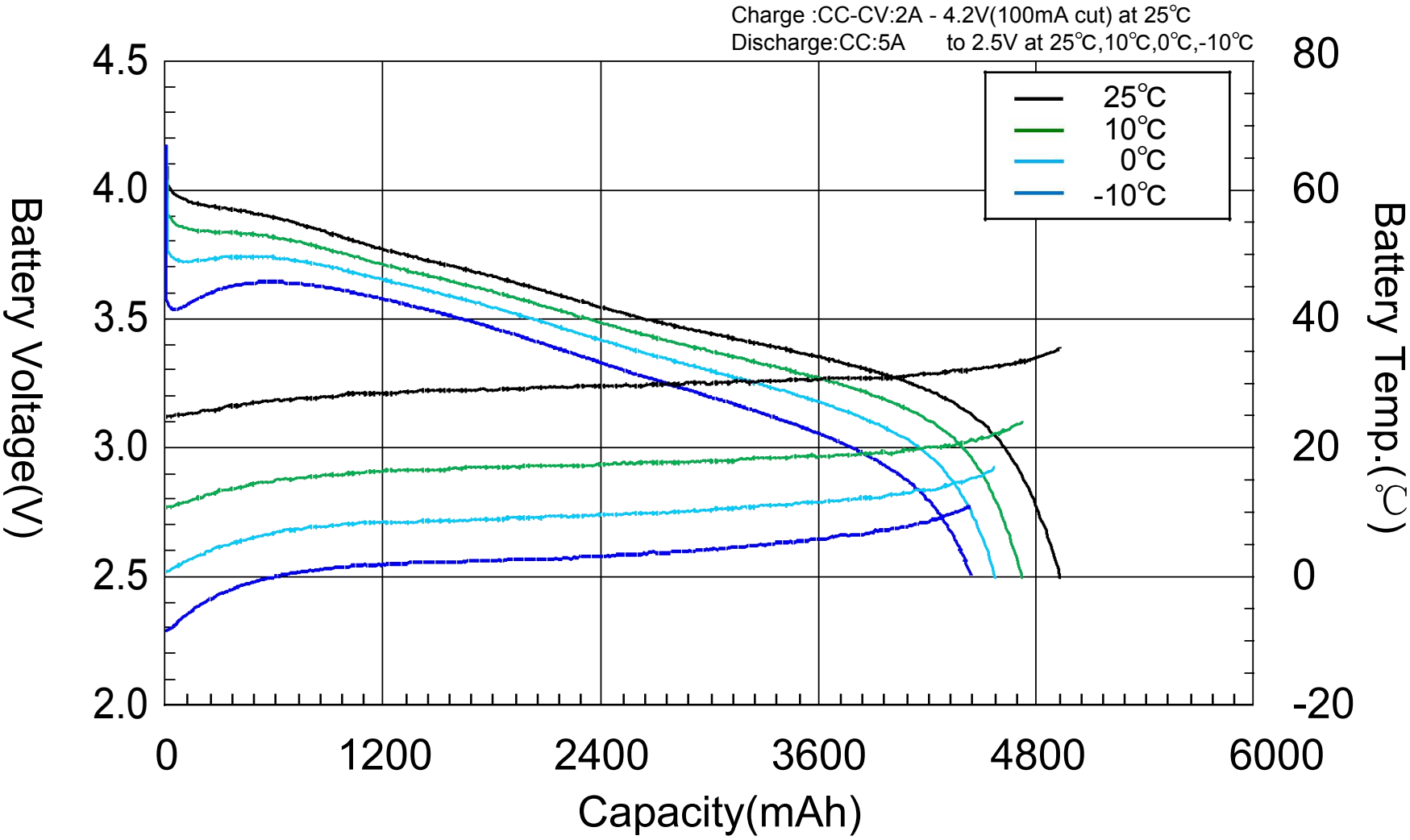


<Remark> These values are not guaranteed values.



Low Temp. Characteristics for NCR21700

[5A discharge]

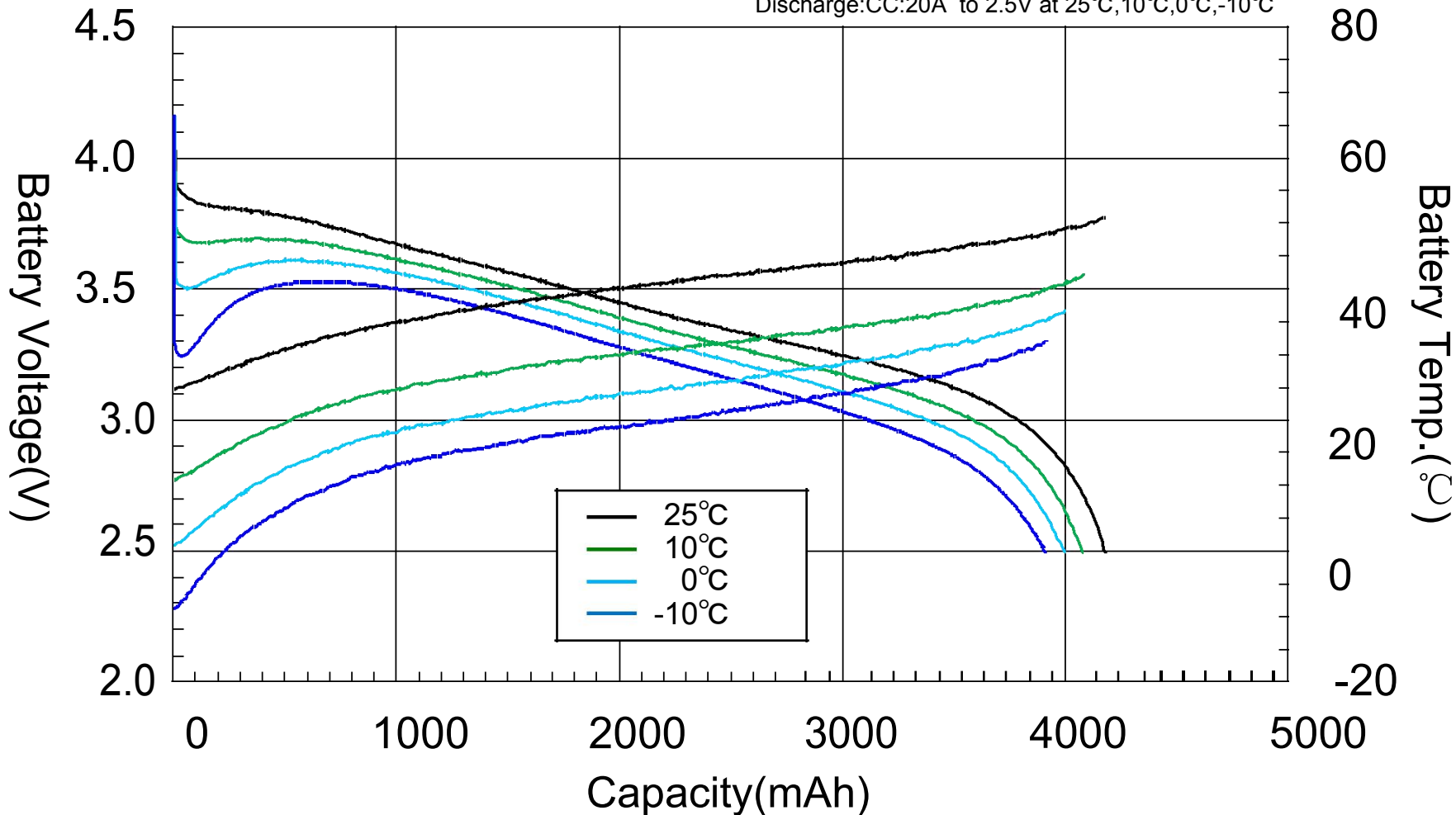


<Remark> These values are not guaranteed values.



[20A discharge]

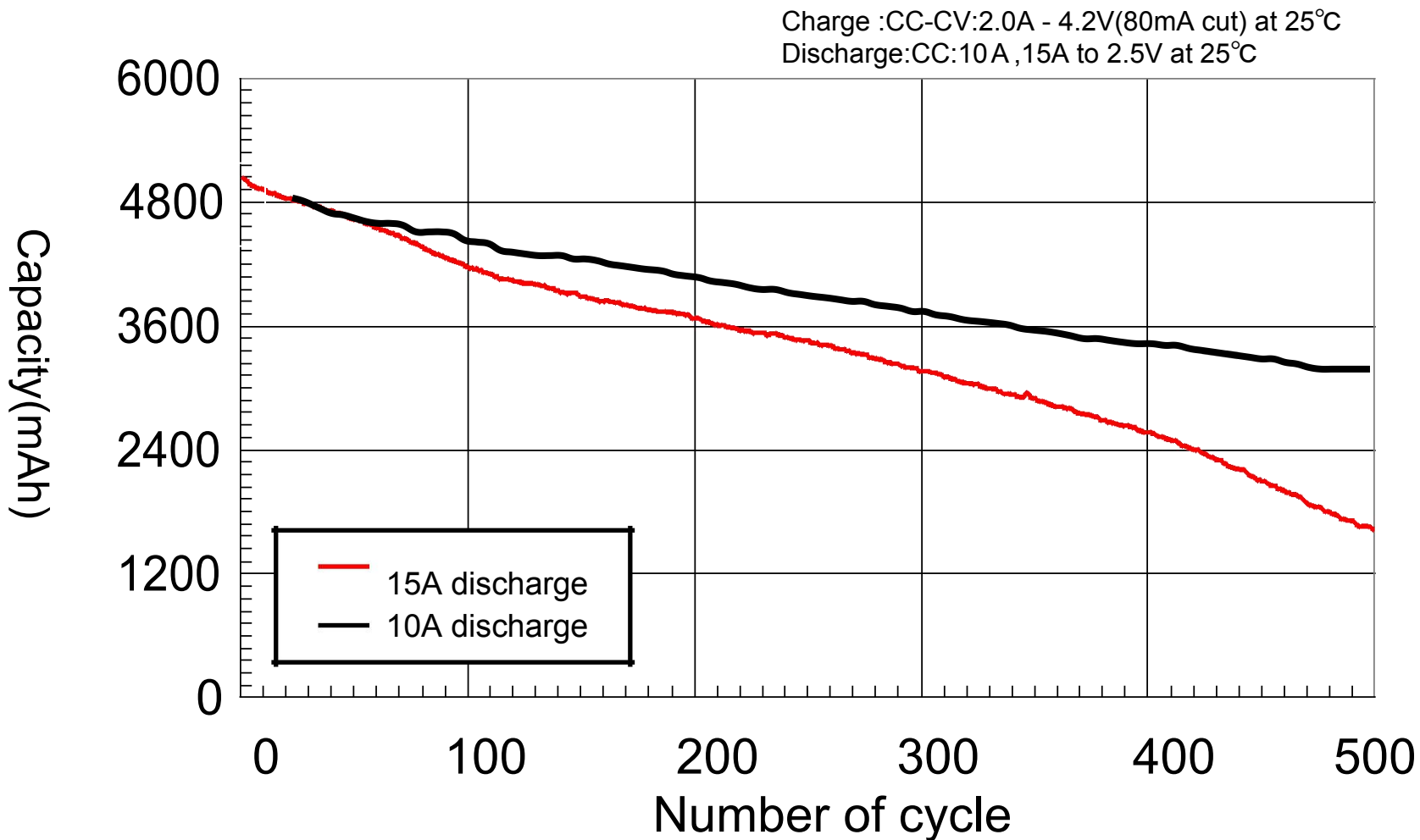
Charge : CC-CV:2A - 4.2V(100mA cut) at 25°C
Discharge: CC:20A to 2.5V at 25°C, 10°C, 0°C, -10°C



<Remark> These values are not guaranteed values.

Cycle Characteristics for NCR21700

< Without Temp. cut cycle performance of single cell >



<Remark> These values are not guaranteed values.

Panasonic

ideas for life