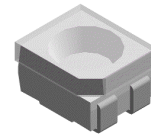


PLCC-4 Flat Package SMD LED

VR A3S8Q

Description

The constructive of this series of LED are different from the PCB type SMD LED. The lead-frame is made of metal, reflector is made of thermoplastic and construct into this unique type of SMD LED. The Wavelengths and Luminous Intensities of this series are grouped under 20mA for uniformity. Such construction is very suitable to be used in high demanding reliability applications such as in-car dashboard or telecommunications.

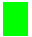


Applications

- Industrial control systems signal indicator
- Automotive features
- Flat backlight for LCD switch and symbol
- Light pipe application



Electronic Optical Characteristics (at 50mA):

Part Number	Emitted Color	λ (nm)		Lens Color	Iv(mcd)		View Angle (2 θ 1/2)	VF(V)	
		λ_d	λ_p		Min.	Typ.		Typ.	Max.
VR A3S8Q	Green 	520	525	Clear	4500	5700	120	3.2	3.4

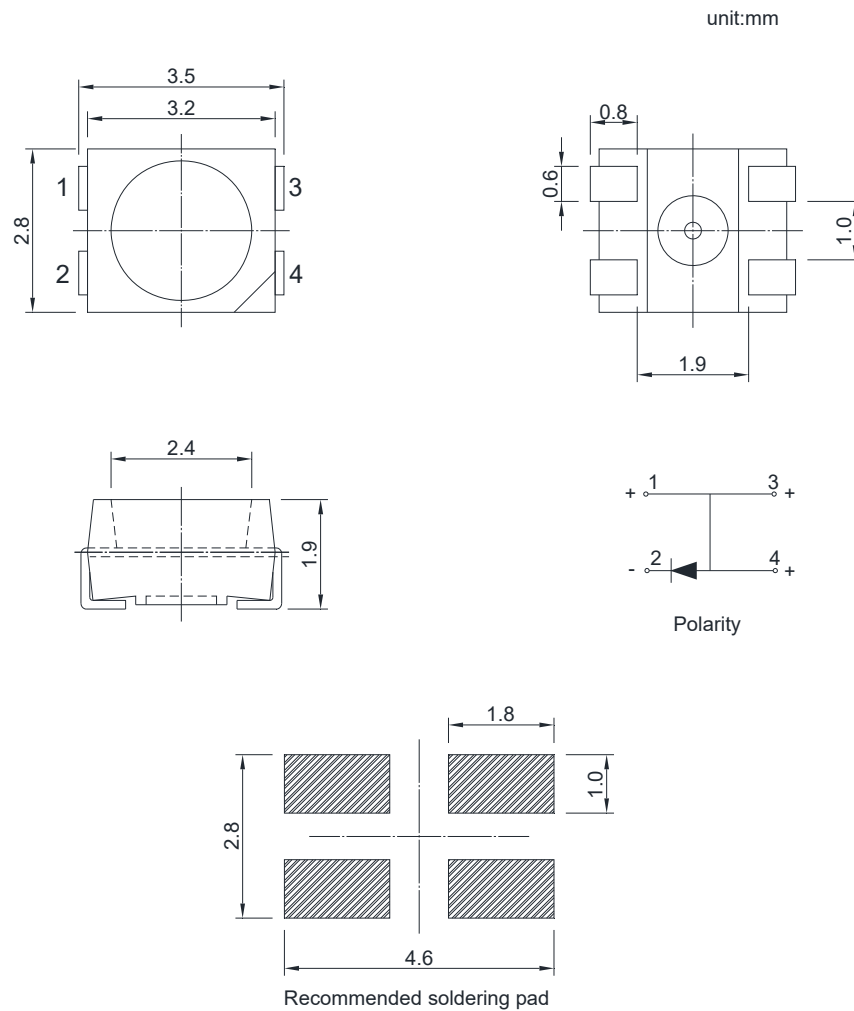
Absolute Maximum Ratings (at Ta=25°C)

P _D (mW)	I _{FP} (mA)	I _F (mA)	Iron Solder (°C)	I _R (μ A)@V _R =5V	Topr(°C)	Tstg(°C)
150	50*	50	350 \pm 5 for 3 sec.	10	-20~+80	-40~+80

Note: Please take note the Absolute Maximum Rating values. Any operation beyond the specify ratings in this table will result degradation of LED life-span and may cause LED to fail.

* I_{FP}: Peak Forward Current under 1/10 duty, 1KHz condition

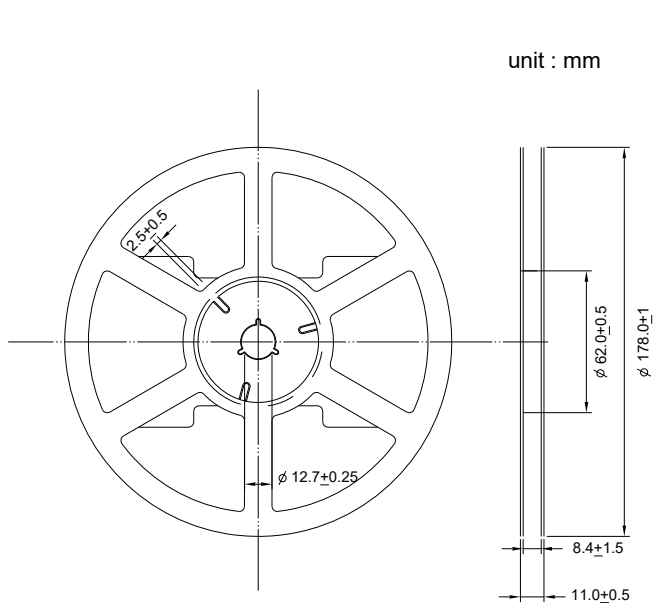
Package Dimension:



Notes:

1. All dimensions are millimeters.
2. Tolerance is ± 0.2 mm unless otherwise specified.
3. Specifications are subject to change without notice.

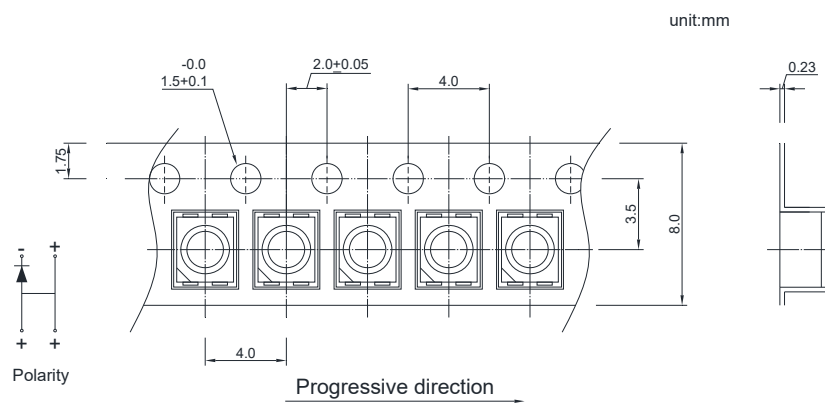
Reel Dimension:

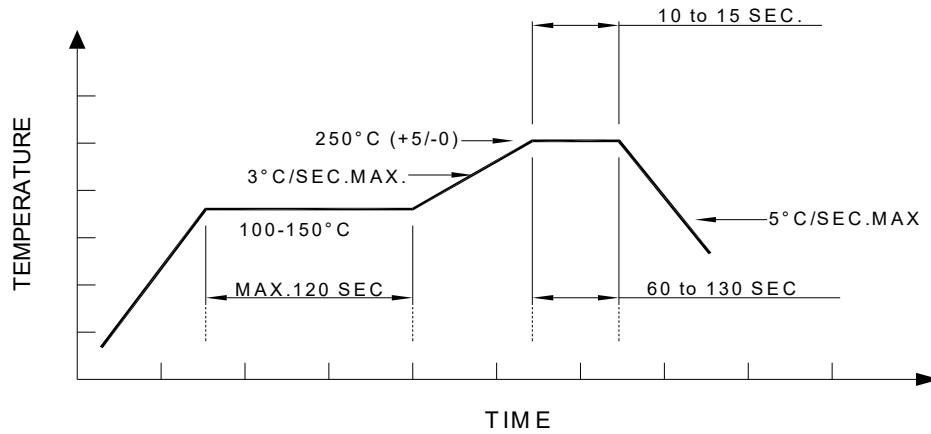


Note:

Available in 8mm carrier tape on 178mm diameter reels. (2000 pieces)

Tape Dimension:



Recommended Pb-free re-flow soldering profile:**Note:**

All the specifications listed in this data sheet are suitable for general electronic equipment, office equipment and communication devices. Kindly consult Sales Representatives for specific reliabilities request, Forward Voltage, Luminous Intensity, Wavelength, Radiant Power or Viewing Angle.